



CENTURY GTx SCHEMATICS

| LOCATION | DESCRIPTION | SCHEMATIC # | DWG # | REV # |
|--------------------------------------|-------------------------------------|--------------------|--------------|--------------|
| STANDARD INPUT MODULE | GTx / Vx INPUT CONNECTOR PCB | 1 | 76D2137 | 01 |
| | GTx INPUT MAIN PCB | 2 | 76D2136 | 02 |
| | GTx INPUT LCR SUB BOARD | 3 | 76C2190 | 02 |
| STEREO INPUT MODULE | GTx / Vx STEREO INPUT CONNECTOR | 4 | 76D2578 | 01 |
| | GTx STEREO INPUT MAIN PCB | 5 | 76D2579 | 02 |
| | GTx / Vx STEREO LCR BALANCE SUB PCB | 6 | 76C2636 | 00 |
| GROUP MODULE | GROUP CONNECTOR PCB | 7 | 76D1922 | 02 |
| | GROUP MAIN PCB | 8 | 76D2138 | 02 |
| | GTx GROUP LCR SUB BOARD | 9 | 76C2190 | 02 |
| LEFT / RIGHT OUTPUT MODULE | LEFT / RIGHT CONNECTOR | 10 | N/A | N/A |
| | L/R MAIN PCB | 11 | N/A | N/A |
| MONO OUTPUT MODULE | MONO CONNECTOR | 12 | N/A | N/A |
| | MONO MAIN PCB | 13 | N/A | N/A |
| MASTER CONTROL MODULE | MASTER CONNECTOR PCB | 14 | 76D1508 | 05 |
| | MASTER MAIN PCB | 15 | N/A | N/A |
| MATRIX MODULE | MATRIX CONNECTOR PCB | 16 | 76D1922 | 02 |
| | MATRIX MAIN PCB | 17 | 76D1921 | 01 |
| METER BRIDGE | POWER / DIMMER PCB | 18 | N/A | N/A |
| | METER MUX - ADDED TO DIMMER PCB | 19 | N/A | N/A |
| | METER DEMUX | 20 | 76C2221 | 03 |
| | METER DRIVER BOARD | 21 | 76D2135 | 01 |
| | GTx / Vx GROUP / AUX LED PCB | 22 | 76B2244 | 01 |
| | GTx / Vx MASTER METERS LED PCB | 23 | 76C2245 | 01 |
| | PFL METERS LED PCB | 24 | 76B2246 | 00 |
| RIBBON CABLE PIN OUT DIAGRAMS | RIBBON PIN OUTS | 25 | N/A | N/A |

6

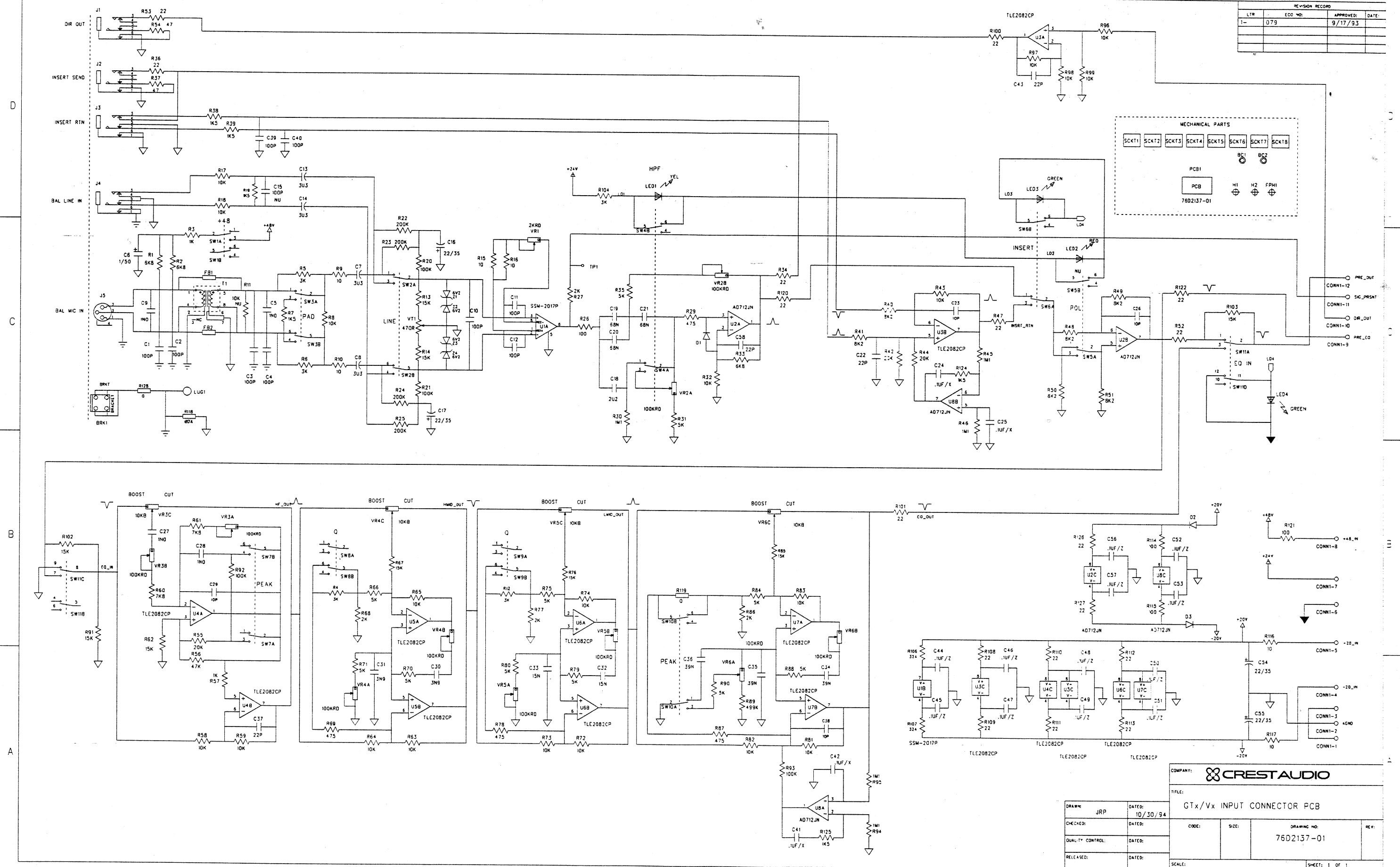
5

4

3

2

| REVISION RECORD | | | |
|-----------------|---------|-----------|---------|
| LT# | ECC NO. | APPROVED: | DATE: |
| 1- | 079 | | 9/17/93 |
| | | | |
| | | | |



| | | | |
|--|----------------|-------------------------------|---------------|
| COMPANY: CRESTAUDIO | | | |
| TITLE: GTx/Vx INPUT CONNECTOR PCB | | | |
| DRAWN: JRP | DATE: 10/30/94 | CODE: | SIZE: |
| CHECKED: | DATE: | DRAWING NO: 7602137-01 | |
| QUALITY CONTROL: | DATE: | REV: | |
| RELEASED: | DATE: | SCALE: | SHEET: 1 OF 1 |

Schematic #1

6

5

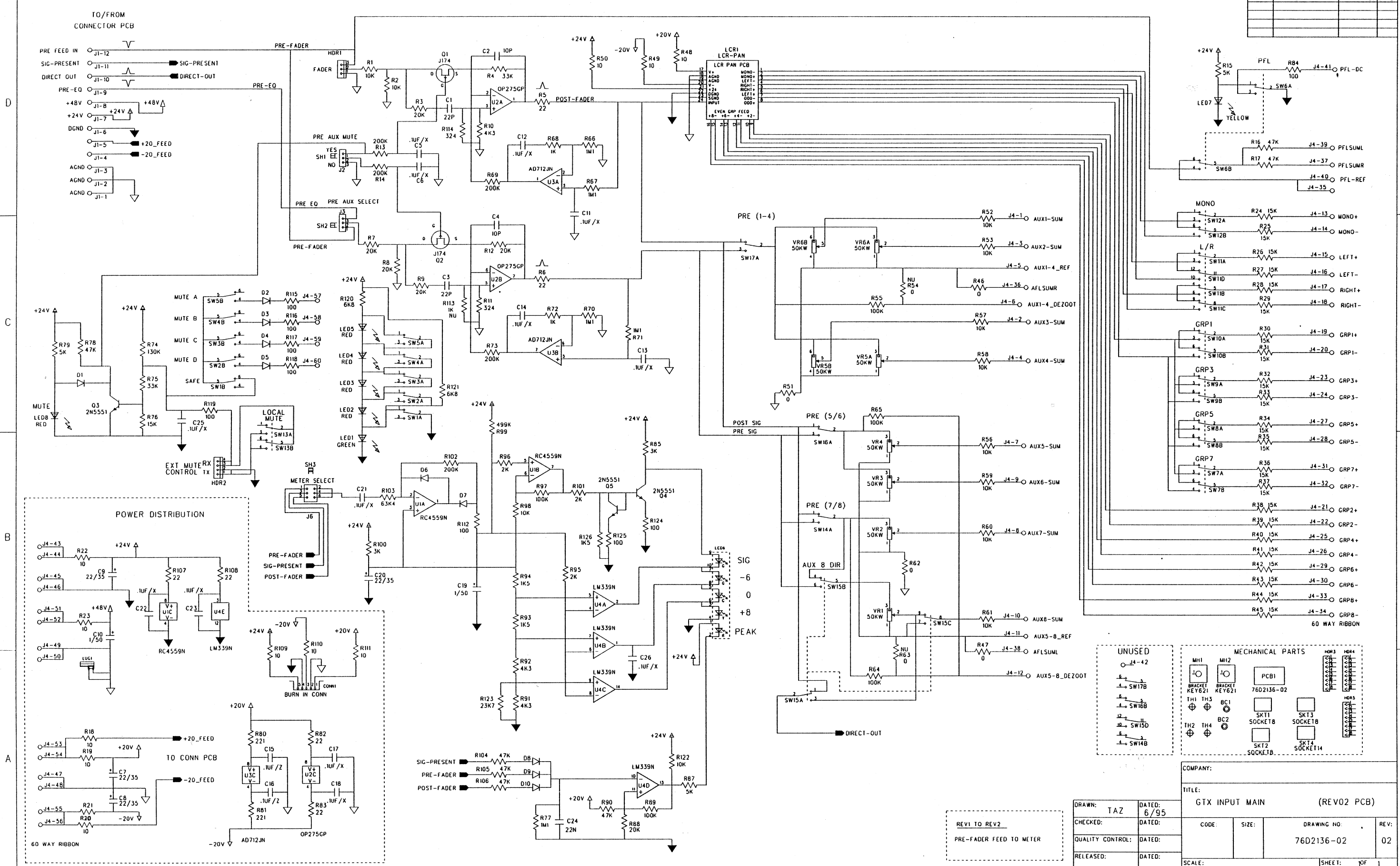
4

3

2

1

| REVISION RECORD | | |
|-----------------|---------|----------------|
| LTR | ECO NO: | APPROVED DATE: |
| | | |
| | | |
| | | |



| UNUSED | | MECHANICAL PARTS | | | |
|--------|----------------|------------------|------------|---------|----------|
| J4-42 | MH1 | MH2 | PCB1 | MH3 | MH4 |
| SW17B | BRACKET KEY621 | BRACKET KEY621 | 7602136-02 | SKT1 | SKT3 |
| SW16B | TH1 TH3 | BC1 | SOCKET8 | SKT2 | SKT4 |
| SW15D | TH2 TH4 | BC2 | SOCKET8 | SOCKET8 | SOCKET14 |
| SW14B | | | | | |

| | |
|-------------------------|-------------|
| DRAWN: TAZ | DATED: 6/95 |
| CHECKED: 6/95 | |
| QUALITY CONTROL: DATED: | |
| RELEASED: DATED: | |

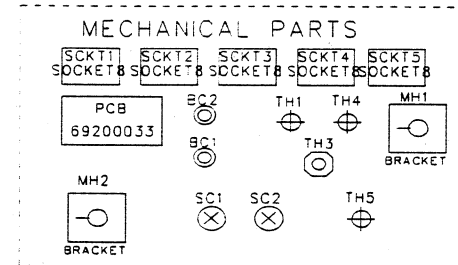
| | | | |
|----------|-------|-----------------------------------|---------|
| COMPANY: | | TITLE: GTX INPUT MAIN (REV02 PCB) | |
| CODE: | SIZE: | DRAWING NO: 7602136-02 | REV: 02 |
| SCALE: | | SHEET: 1 of 1 | |

REV1 TO REV2
PRE-FADER FEED TO METER

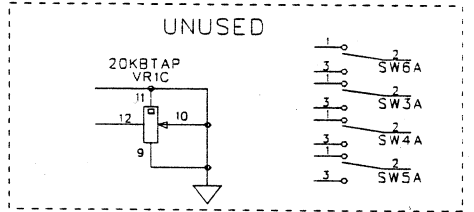
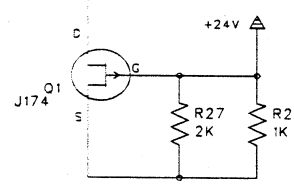
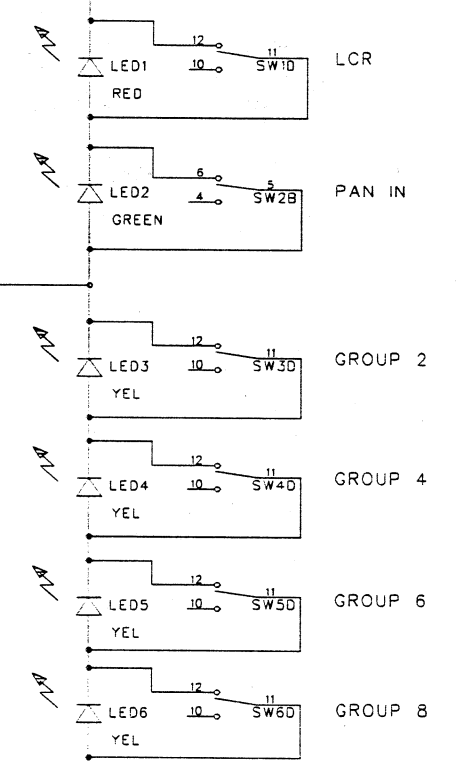
Schematic #2

6 5 4 3 2 1

| REVISION RECORD | | | |
|-----------------|---------|-----------|-------|
| LTR | ECO NO: | APPROVED: | DATE: |
| | | | |
| | | | |

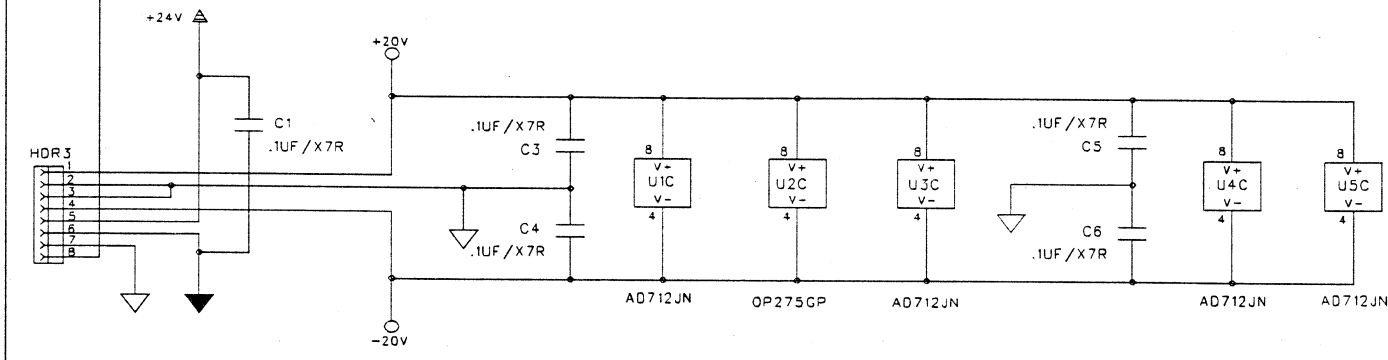
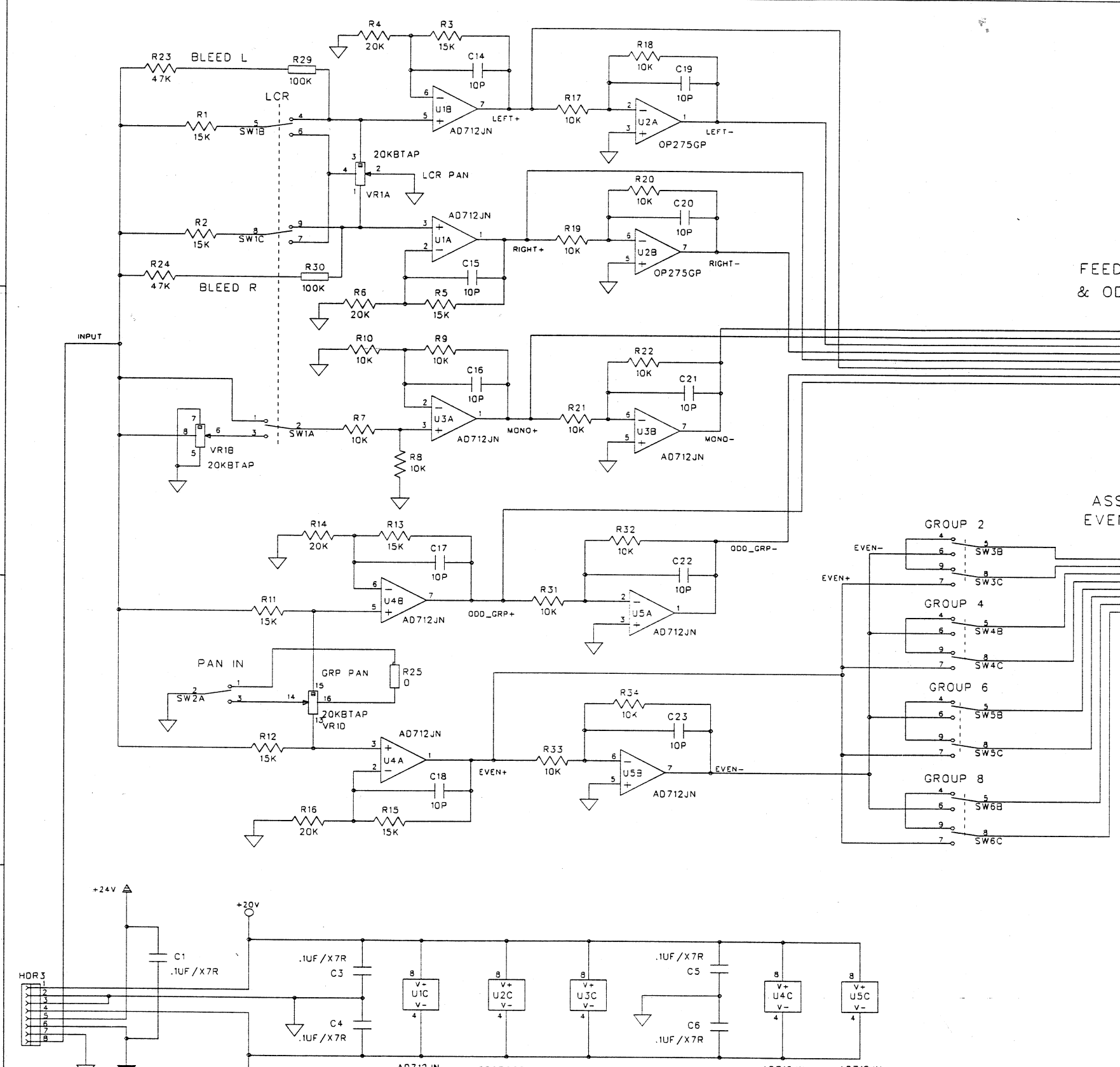


OPTIONAL LEADS



FEED TO MAIN & ODD EUSES

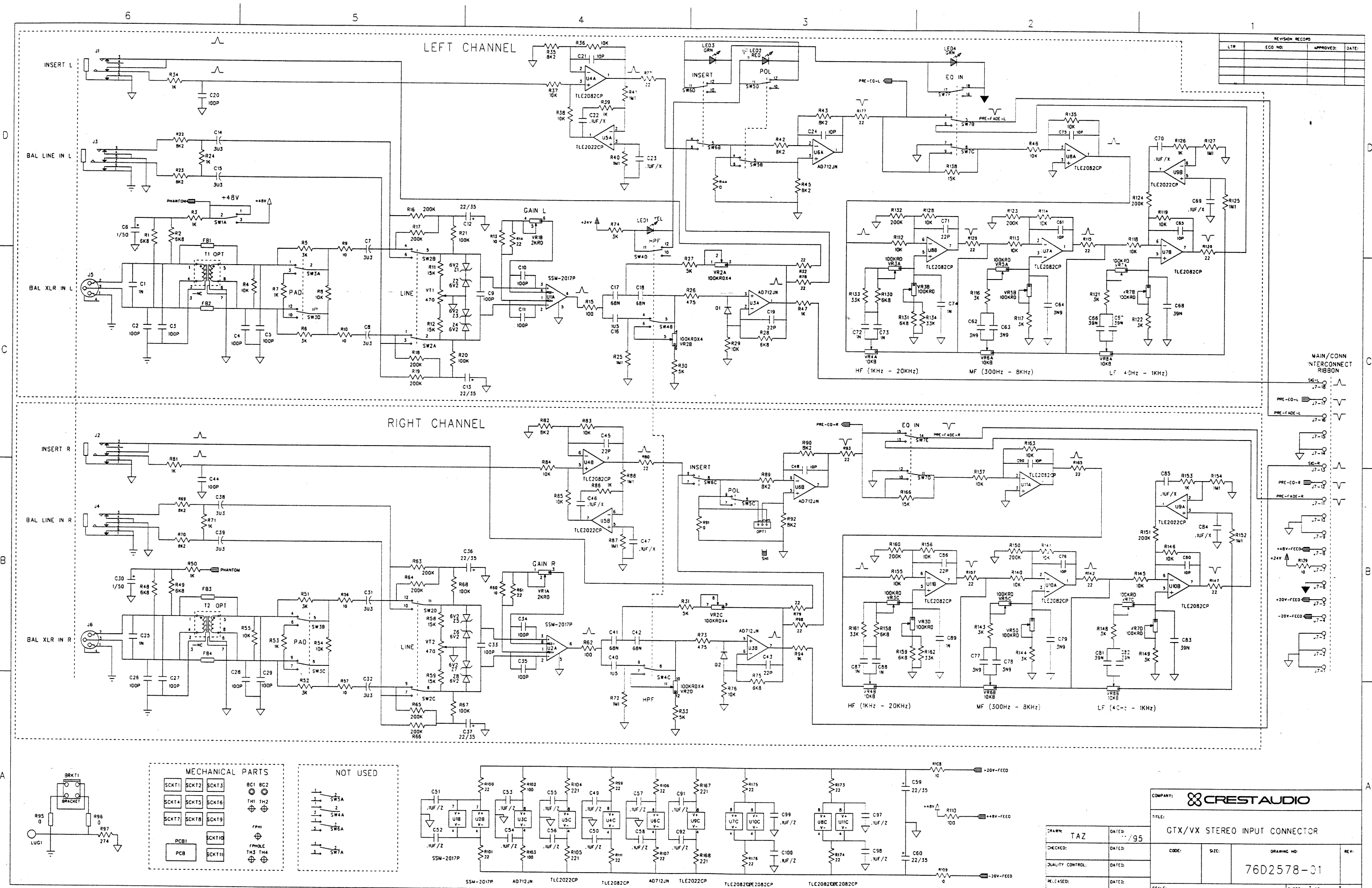
ASSIGN TO EVEN EUSES



REV1- REV2
CHANGE CAPS TO 0.400 PITCH

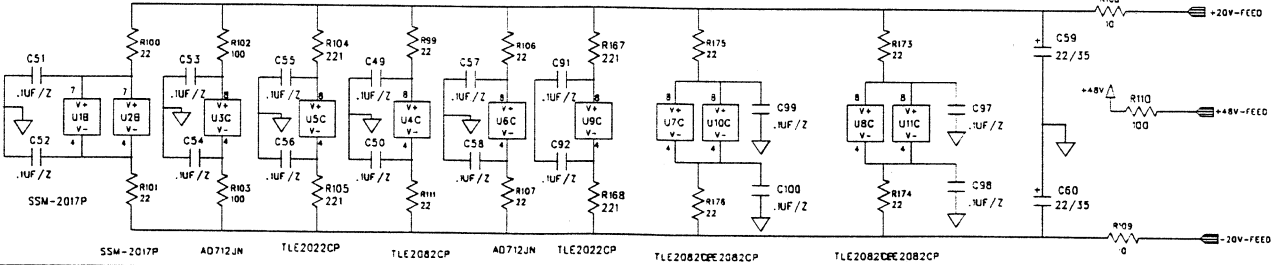
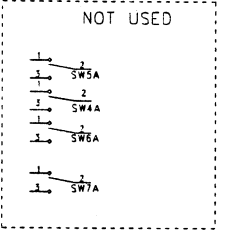
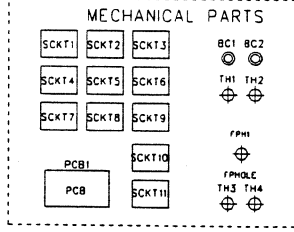
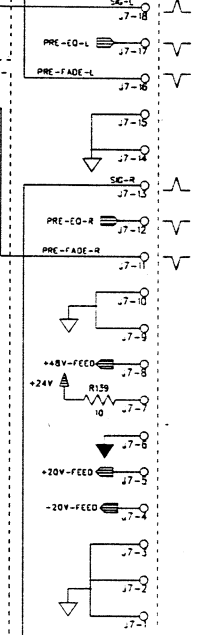
| | |
|------------------|-------------|
| DR: JRP/TAZ | DATE: 11/94 |
| CHECKED: | DATE: |
| QUALITY CONTROL: | DATE: |
| RELEASED: | DATE: |

| | | | |
|-----------------------------|-------|----------------------------------|------|
| COMPANY: CRESTAUDIO | | | |
| TITLE: LCR SUB BOARD | | | |
| CODE: | SIZE: | DRAWING NO: 76C2190-02 | REV: |
| SCALE: | | SHEET: 1 OF 1 | |



| REVISION RECORD | | | |
|-----------------|---------|-----------|-------|
| LTR | ECO NO. | APPROVED: | DATE: |
| | | | |
| | | | |

MAIN/CONN INTERCONNECT RIBBON

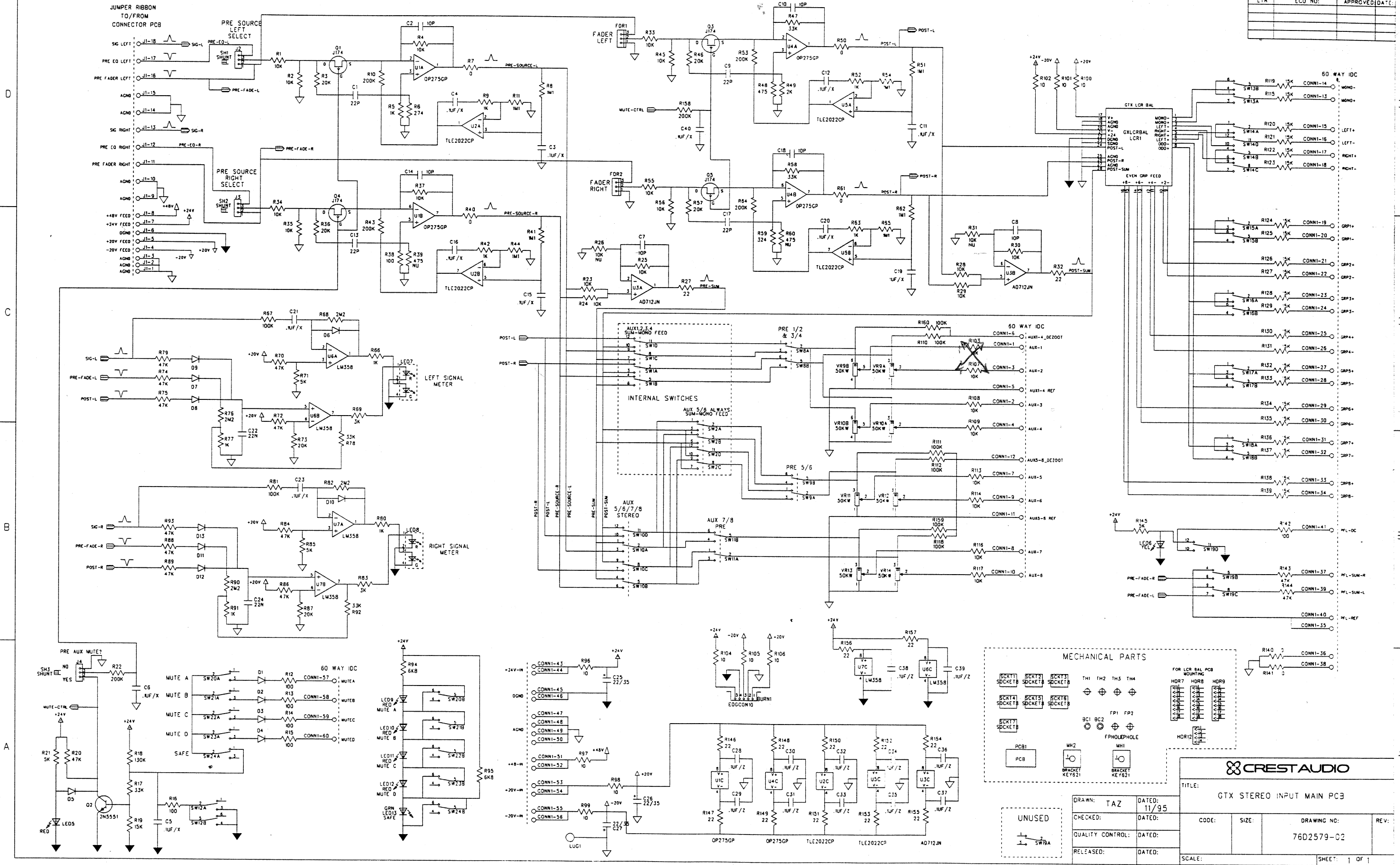


| | |
|--------------------------------------|------------------------|
| COMPANY: CREST AUDIO | |
| TITLE: GTX/VX STEREO INPUT CONNECTOR | |
| CODE: | DRAWING NO: 76D2578-31 |
| SIZE: | REV: 1 |
| SCALE: | SHEET: 1 OF 1 |

| | |
|------------------|--------------|
| DRAWN: TAZ | DATE: // /95 |
| CHECKED: | DATE: |
| QUALITY CONTROL: | DATE: |
| RELEASED: | DATE: |

Schematic #4

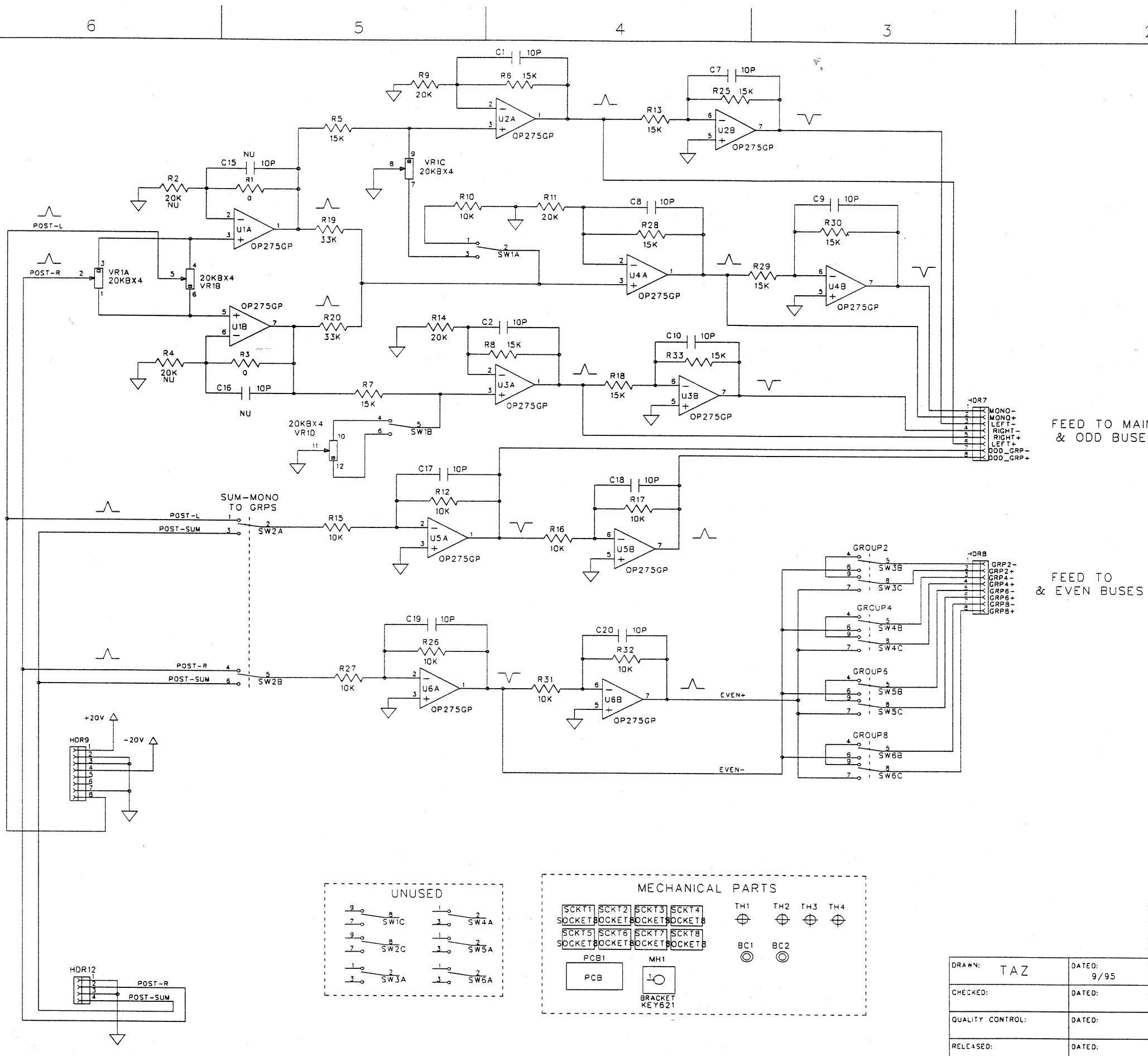
| REVISION RECORD | | | |
|-----------------|---------|----------|------|
| LTR | ECO NO: | APPROVED | DATE |
| | | | |
| | | | |



| | | | |
|--------------------|--------------|----------------------------------|---------------|
| CREST AUDIO | | TITLE: GTX STEREO INPUT MAIN PCB | |
| DRAWN: TAZ | DATED: 11/95 | CODE: | SIZE: |
| CHECKED: | DATED: | DRAWING NO: 7602579-02 | REV: |
| QUALITY CONTROL: | DATED: | SCALE: | SHEET: 1 OF 1 |
| RELEASED: | DATED: | | |

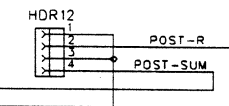
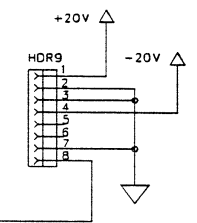
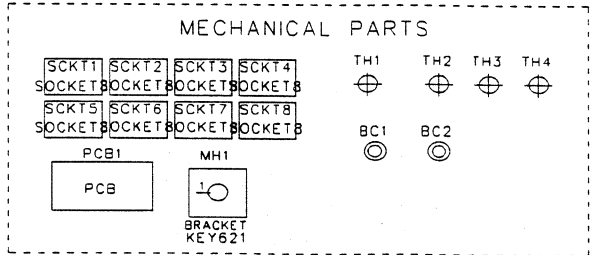
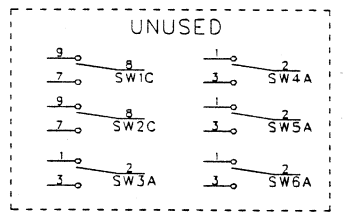
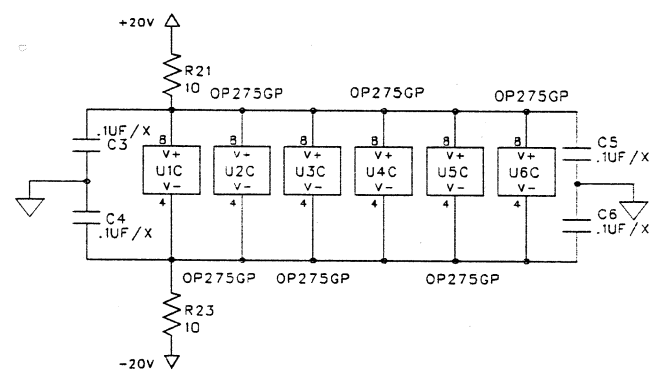
Schematic #5

| REVISION RECORD | | | |
|-----------------|---------|-----------|-------|
| LTR | ECD NO: | APPROVED: | DATE: |
| | | | |
| | | | |
| | | | |



FEED TO MAIN & ODD BUSES

FEED TO EVEN BUSES



| | | | |
|---------------------------------------|---------------|------------------------|------|
| CRESTAUDIO | | | |
| TITLE: GTX STEREO LCR BALANCE SUB PCB | | | |
| CODE: | SIZE: C | DRAWING NO: 76C2636-00 | REV: |
| SCALE: | SHEET: 1 OF 1 | | |

| | |
|------------------|-------------|
| DRAWN: TAZ | DATED: 9/95 |
| CHECKED: | DATED: |
| QUALITY CONTROL: | DATED: |
| RELEASED: | DATED: |

6

5

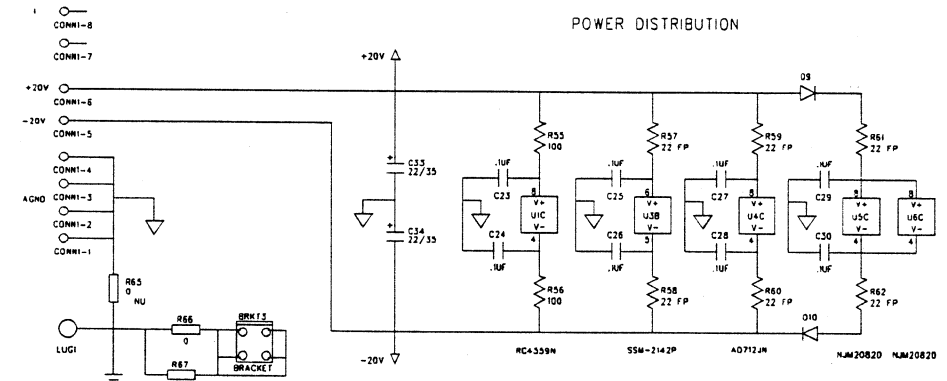
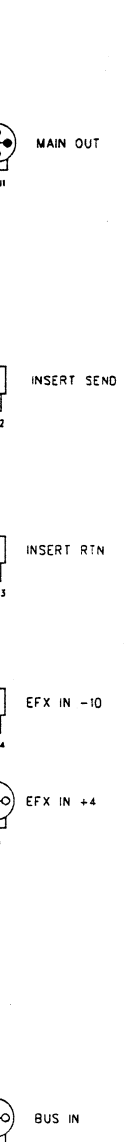
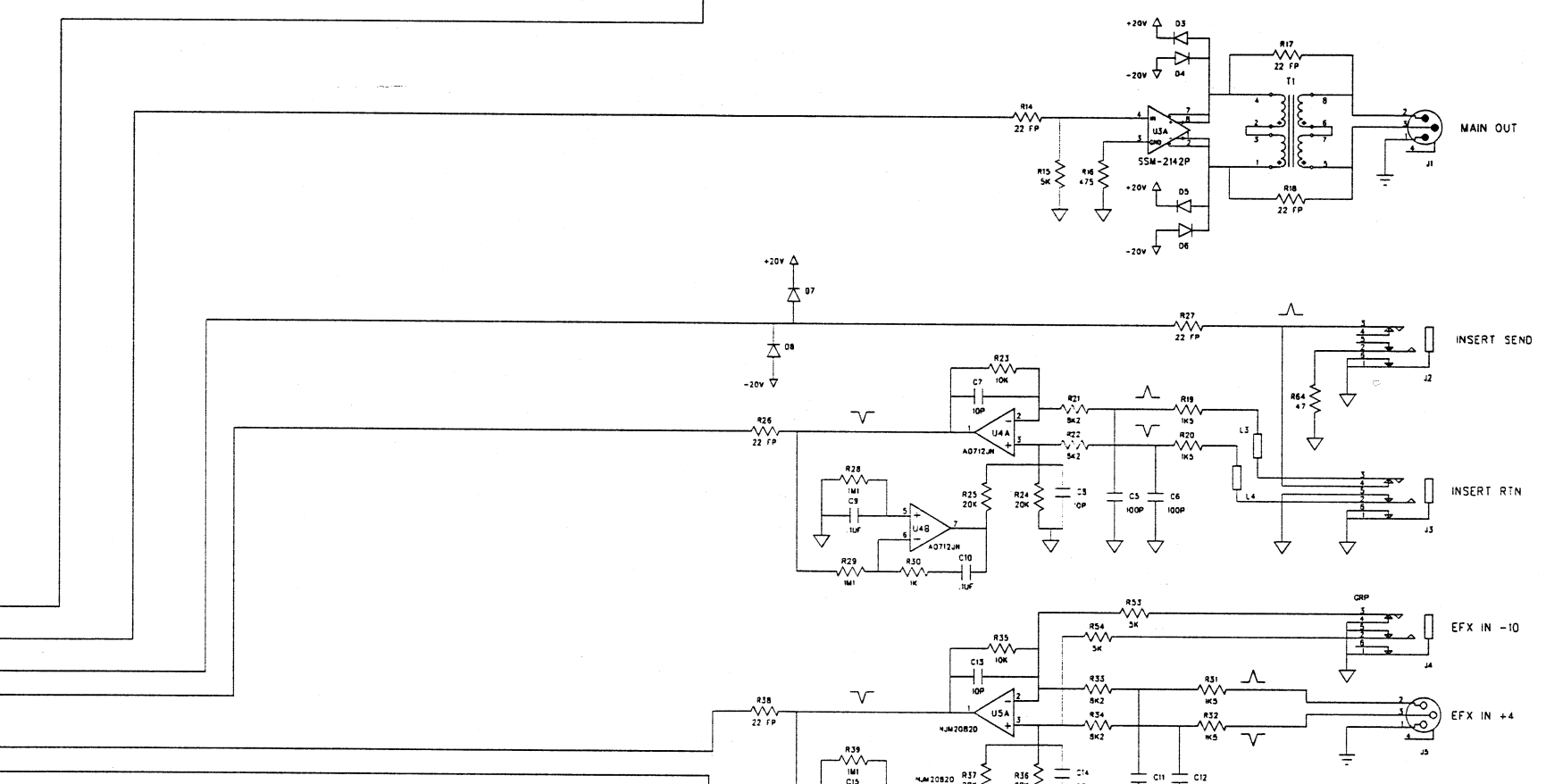
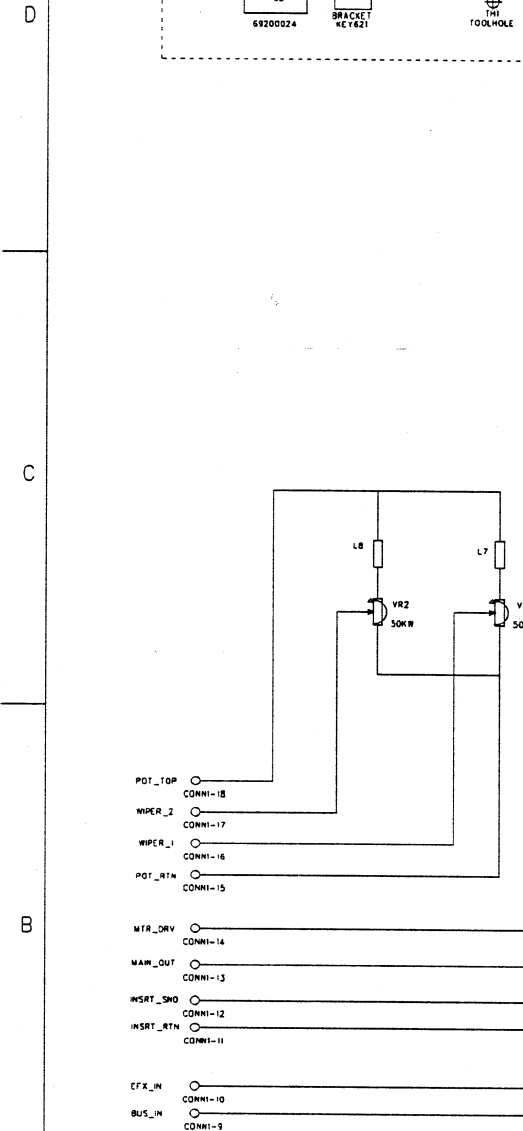
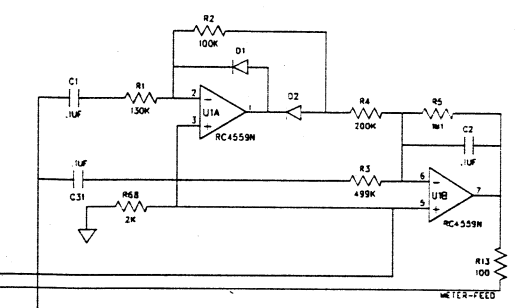
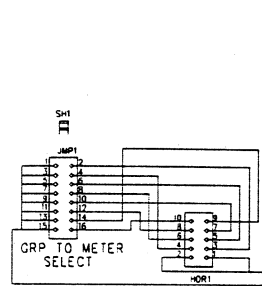
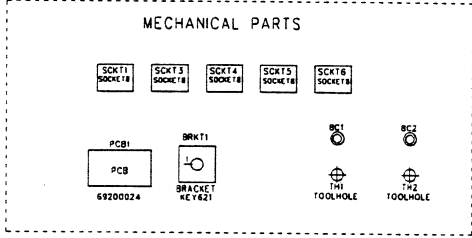
4

3

2

1

| REVISION RECORD | | | |
|-----------------|---------|----------|------|
| LT# | ECO NO. | APPROVED | DATE |
| | | | |
| | | | |
| | | | |

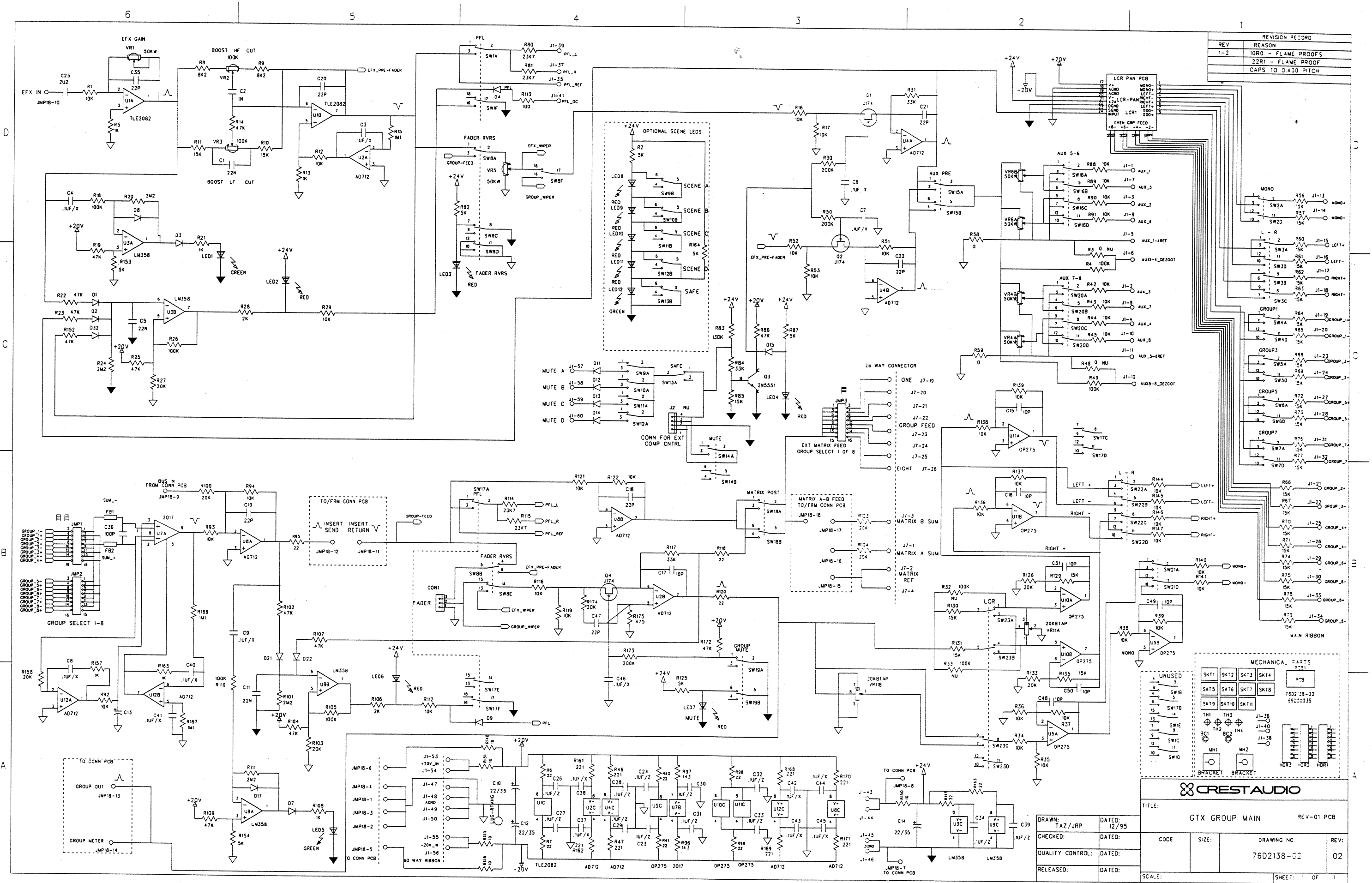


| | | | |
|------------------|-------|------------------------|---------------|
| DRAWN: JRP/TAZ | | DATED: 6/95 | |
| CHECKED: | DATE: | CODE: | SIZE: |
| QUALITY CONTROL: | DATE: | DRAWING NO: 76D1922-02 | |
| RELEASED: | DATE: | SCALE: | SHEET: 1 OF 1 |

COMPANY: **CRESTAUDIO**

TITLE: **GTX GROUP OUTPUT CONNECTOR PCB**

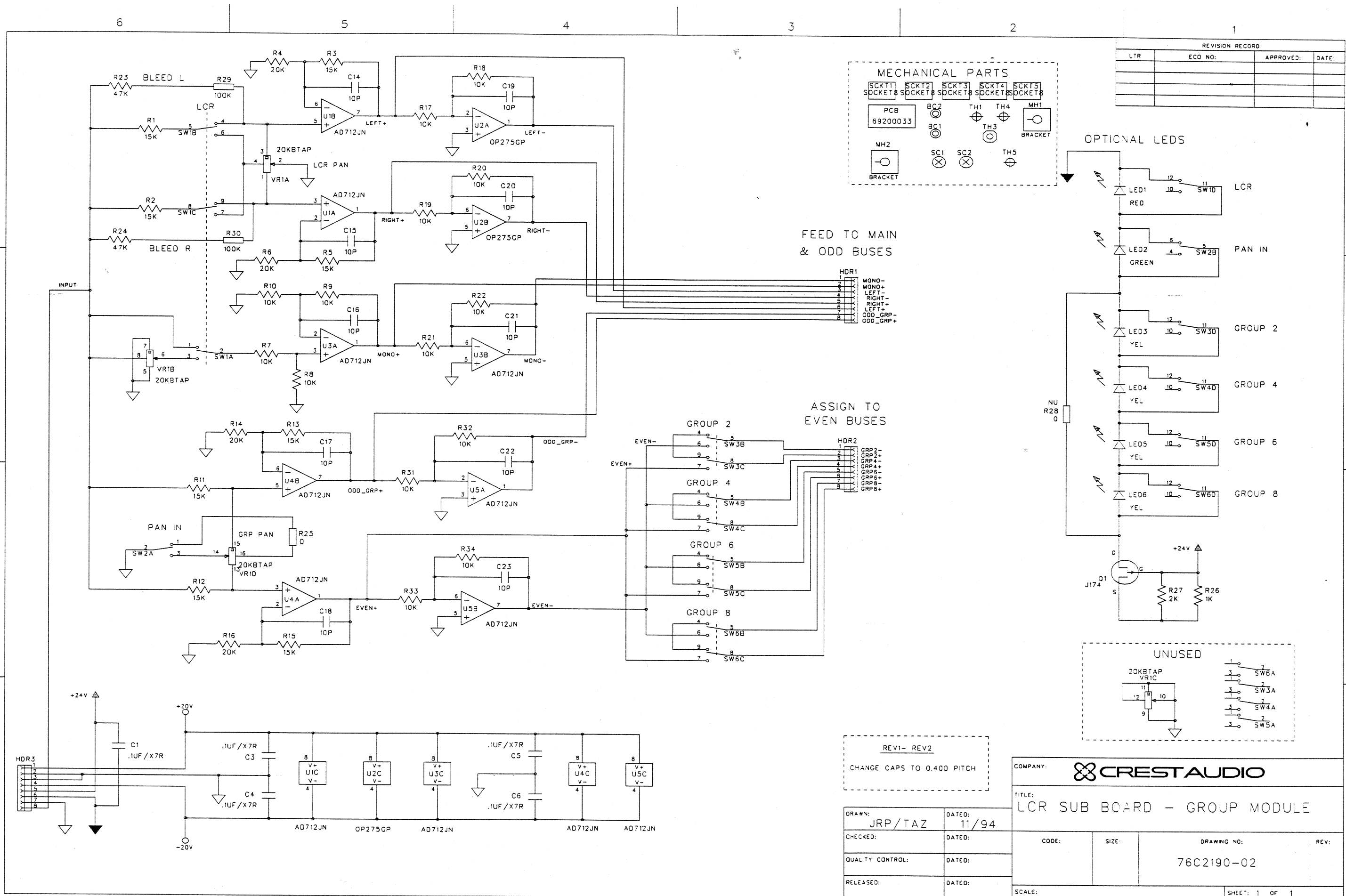
| REV | REASON |
|-----|---------------------|
| 1-2 | 10R0 - FLAME PROOFS |
| | 22R1 - FLAME PROOF |
| | CAPS TO 0.430 PITCH |



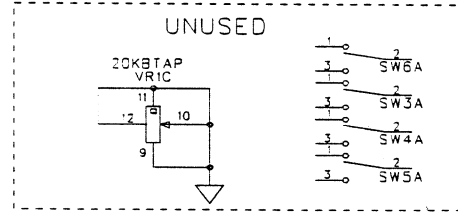
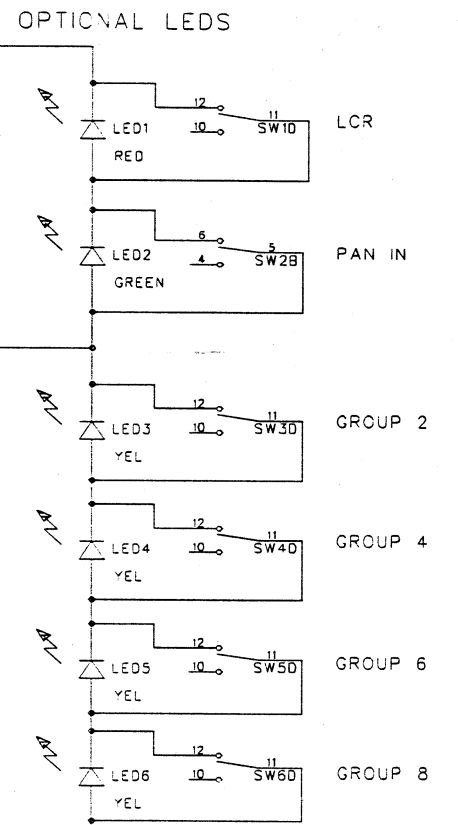
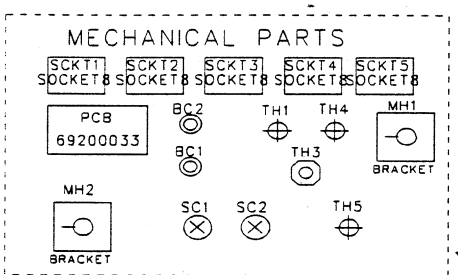
CRESTAUDIO

| | | | |
|-----------------------|--------------|------------------------|---------------|
| TITLE: GTX GROUP MAIN | | REV: 01 PCB | |
| DRAWN: TAZ/JRP | DATED: 12/95 | CODE | SIZE |
| CHECKED: | DATED: | DRAWING NO: 76D2138-02 | |
| QUALITY CONTROL: | DATED: | REV: 02 | |
| RELEASED: | DATED: | SCALE: | SHEET: 1 OF 1 |

Schematic #8



| REVISION RECORD | | | |
|-----------------|---------|-----------|-------|
| LTR | ECO NO: | APPROVED: | DATE: |
| | | | |
| | | | |



REVI- REV2

CHANGE CAPS TO 0.400 PITCH

| | |
|------------------|--------------|
| DRAWN: JRP/TAZ | DATED: 11/94 |
| CHECKED: | DATED: |
| QUALITY CONTROL: | DATED: |
| RELEASED: | DATED: |

| | | | |
|--|---------------|-------------|------|
| COMPANY: CRESTAUDIO | | | |
| TITLE: LCR SUB BOARD - GROUP MODULE | | | |
| CODE: | SIZE: | DRAWING NO: | REV: |
| | | 76C2190-02 | |
| SCALE: | SHEET: 1 OF 1 | | |

6

5

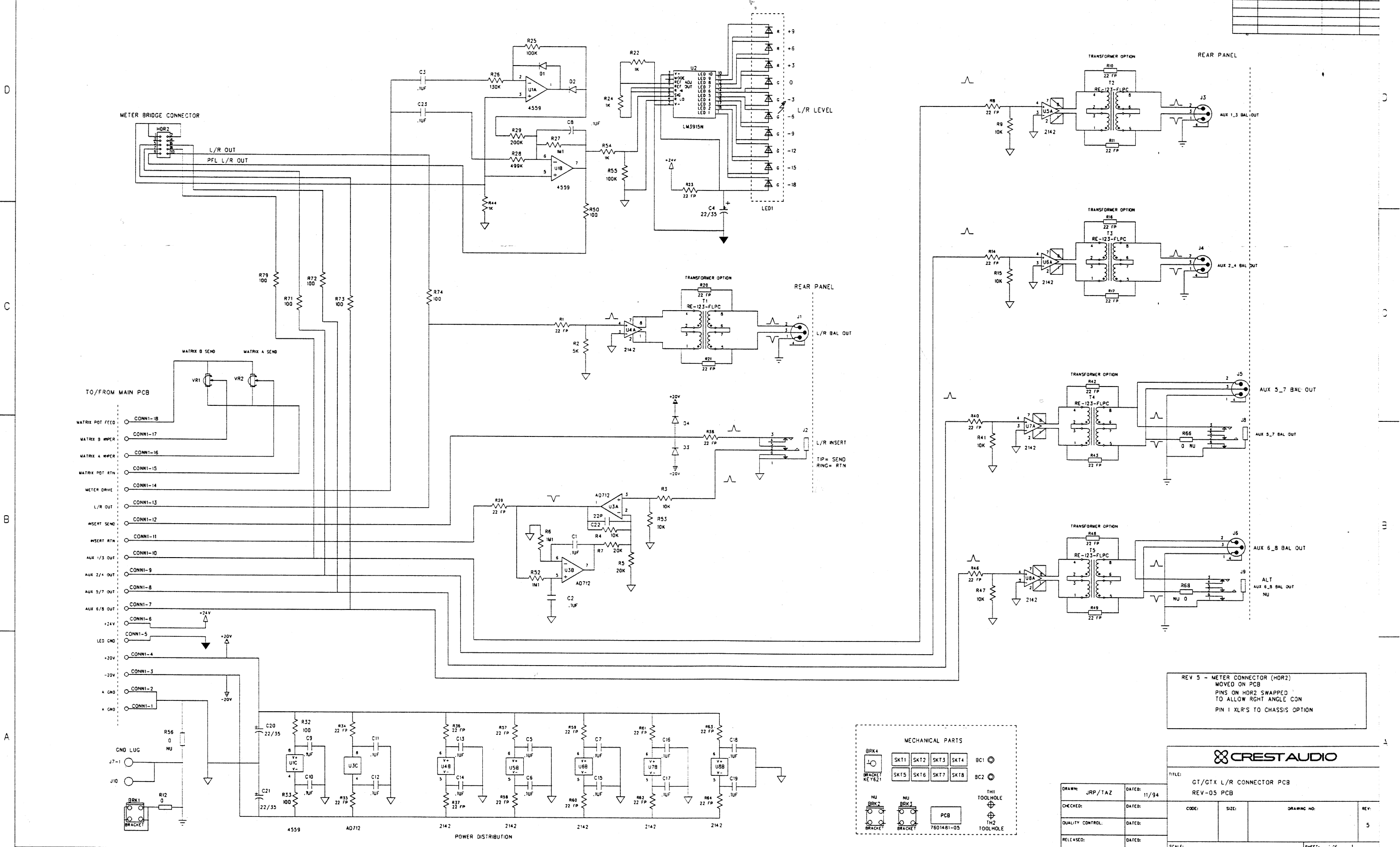
4

3

2

1

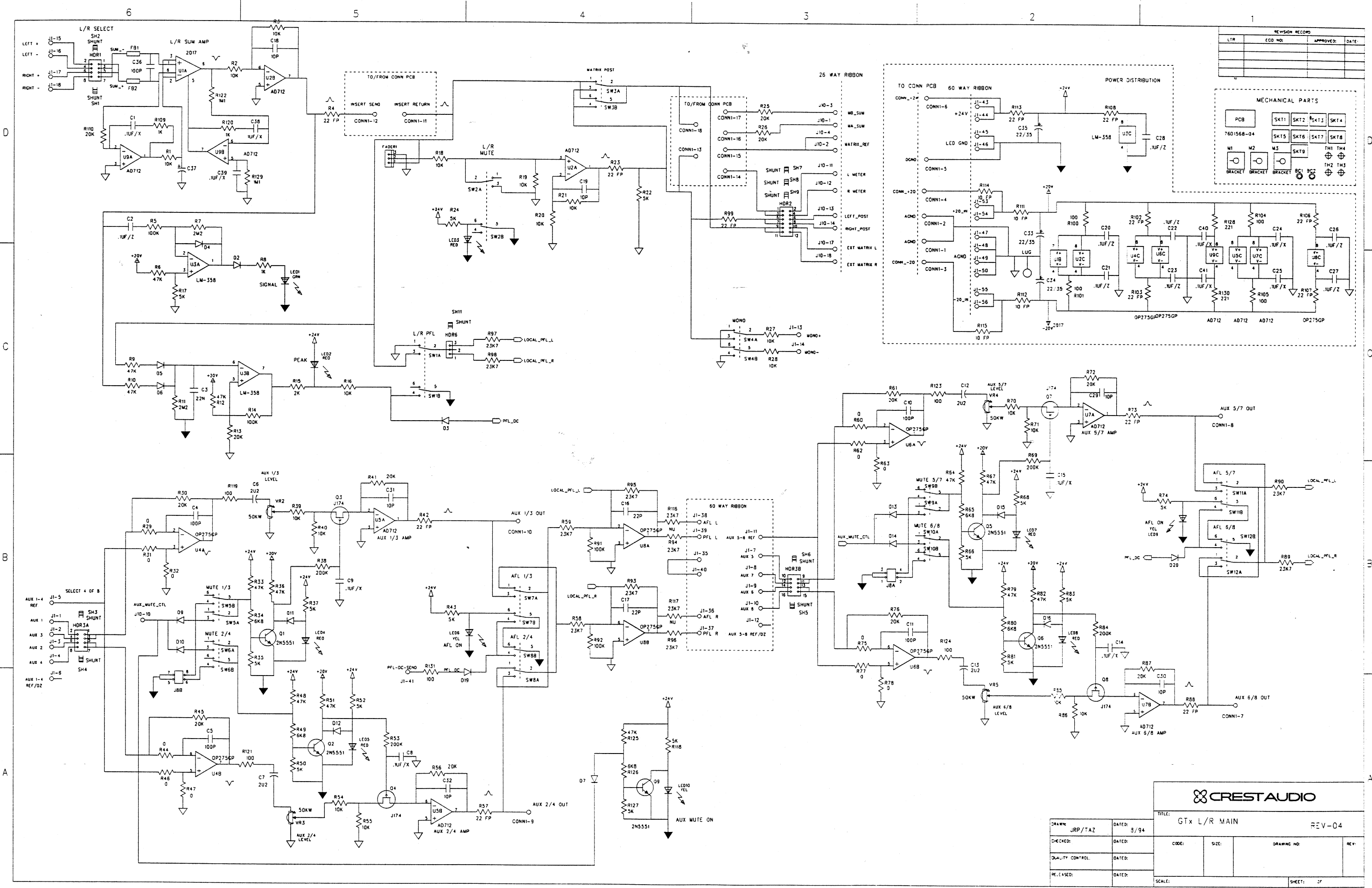
| REVISION RECORD | | | |
|-----------------|---------|-----------|-------|
| LTW | ECO NO. | APPROVED: | DATE: |
| | | | |
| | | | |
| | | | |



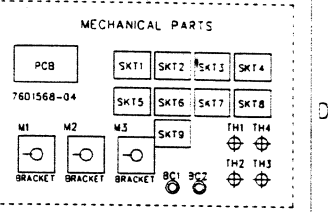
REV 5 - METER CONNECTOR (HOR2)
 MOVED ON PCB
 PINS ON HOR2 SWAPPED
 TO ALLOW RIGHT ANGLE CON
 PIN 1 XLR'S TO CHASSIS OPTION

| | |
|---|---------------|
| CREST AUDIO | |
| TITLE: CT/GTX L/R CONNECTOR PCB REV-05 PCB | |
| DRAWN: JRP/TAZ | DATE: 11/94 |
| CHECKED: | DATE: |
| QUALITY CONTROL: | DATE: |
| RELEASED: | DATE: |
| CODE: | SIZE: |
| DRAWING NO: | REV: 5 |
| SCALE: | SHEET: 1 OF 1 |

Schematic #10



| REVISION RECORD | | | |
|-----------------|---------|----------|------|
| LTR | ECO NO. | APPROVED | DATE |
| | | | |
| | | | |



| | | | | | |
|--------------------|-------------|---------------------|-------|-------------|------|
| CREST AUDIO | | TITLE: GTx L/R MAIN | | REV-04 | |
| DRAWN: JRP/TAZ | DATED: 8/94 | CODE: | SIZE: | DRAWING NO: | REV: |
| CHECKED: | DATED: | | | | |
| QUALITY CONTROL: | DATED: | | | | |
| RELEASED: | DATED: | | | | |
| SCALE: | | SHEET: 3F | | | |

Schematic #11

6

5

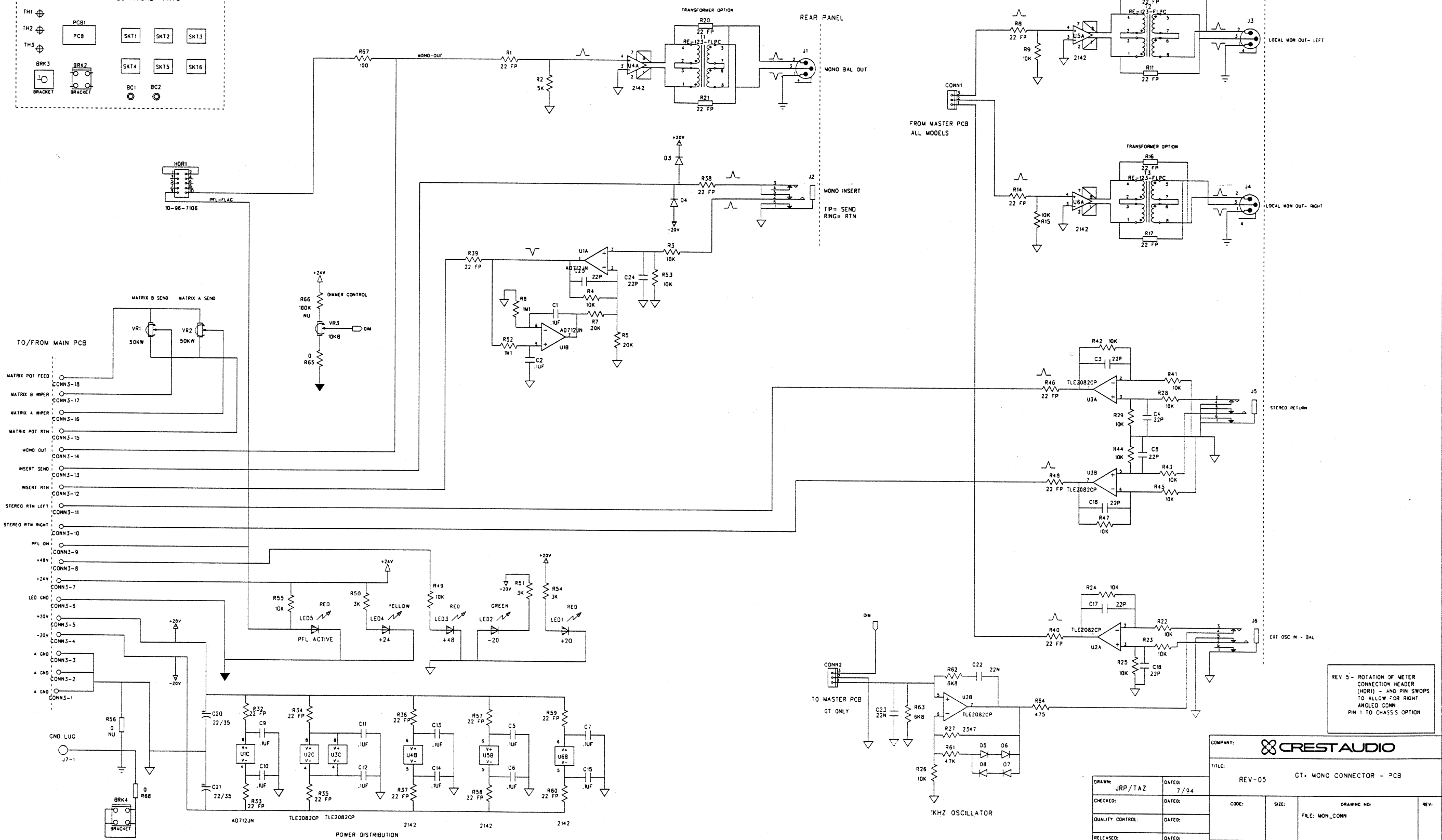
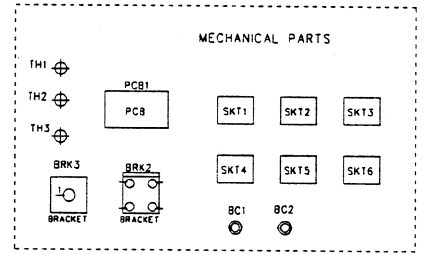
4

3

2

| REVISION RECORD | | | |
|-----------------|---------|----------|------|
| LTR | ECO NO. | APPROVED | DATE |
| | | | |
| | | | |
| | | | |

ENLARGED LETTERING



REV 5 - ROTATION OF METER CONNECTION HEADER (HDR1) - AND PIN SWOPS TO ALLOW FOR RIGHT ANGLED CONN PIN 1 TO CHASSIS OPTION

| | | | |
|----------------------------|-------------|--|---------------|
| COMPANY: CRESTAUDIO | | TITLE: REV-05 GT+ MONO CONNECTOR - PCB | |
| DRAWN: JRP/TAZ | DATED: 7/94 | CODE: | SIZE: |
| CHECKED: | DATED: | DRAWING NO: | REV: |
| QUALITY CONTROL: | DATED: | FILE: MON_CONN | |
| RELEASED: | DATED: | SCALE: | SHEET: 1 OF 1 |

Schematic #12

6

5

4

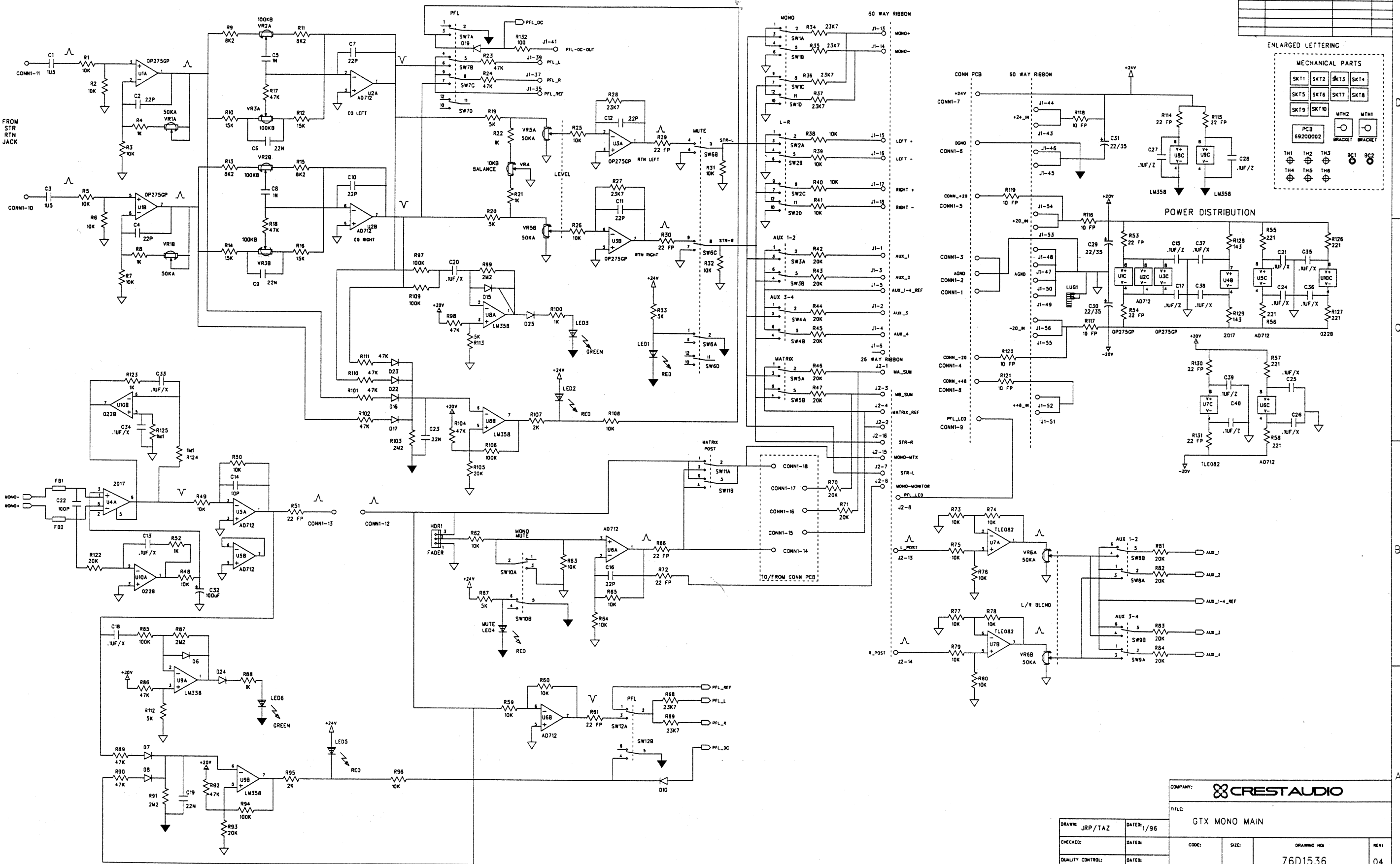
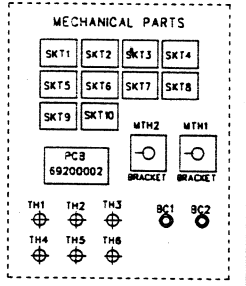
3

2

1

| REVISION RECORD | | | |
|-----------------|--------|----------|------|
| LTR | ECO NO | APPROVED | DATE |
| | | | |
| | | | |

ENLARGED LETTERING



| | | | |
|-----------------------------|------------|----------------------|-----------|
| COMPANY: CREST AUDIO | | TITLE: GTX MONO MAIN | |
| DRAWN: JRP/TAZ | DATE: 1/96 | CODE: | SIZE: |
| CHECKED: | DATE: | DRAWING NO: 76D1536 | |
| QUALITY CONTROL: | DATE: | REV: 04 | |
| RELEASED: | DATE: | SCALE: | SHEET: OF |

Schematic #13

6

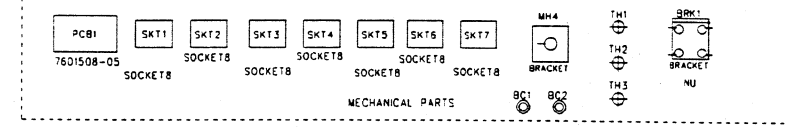
5

4

3

2

1



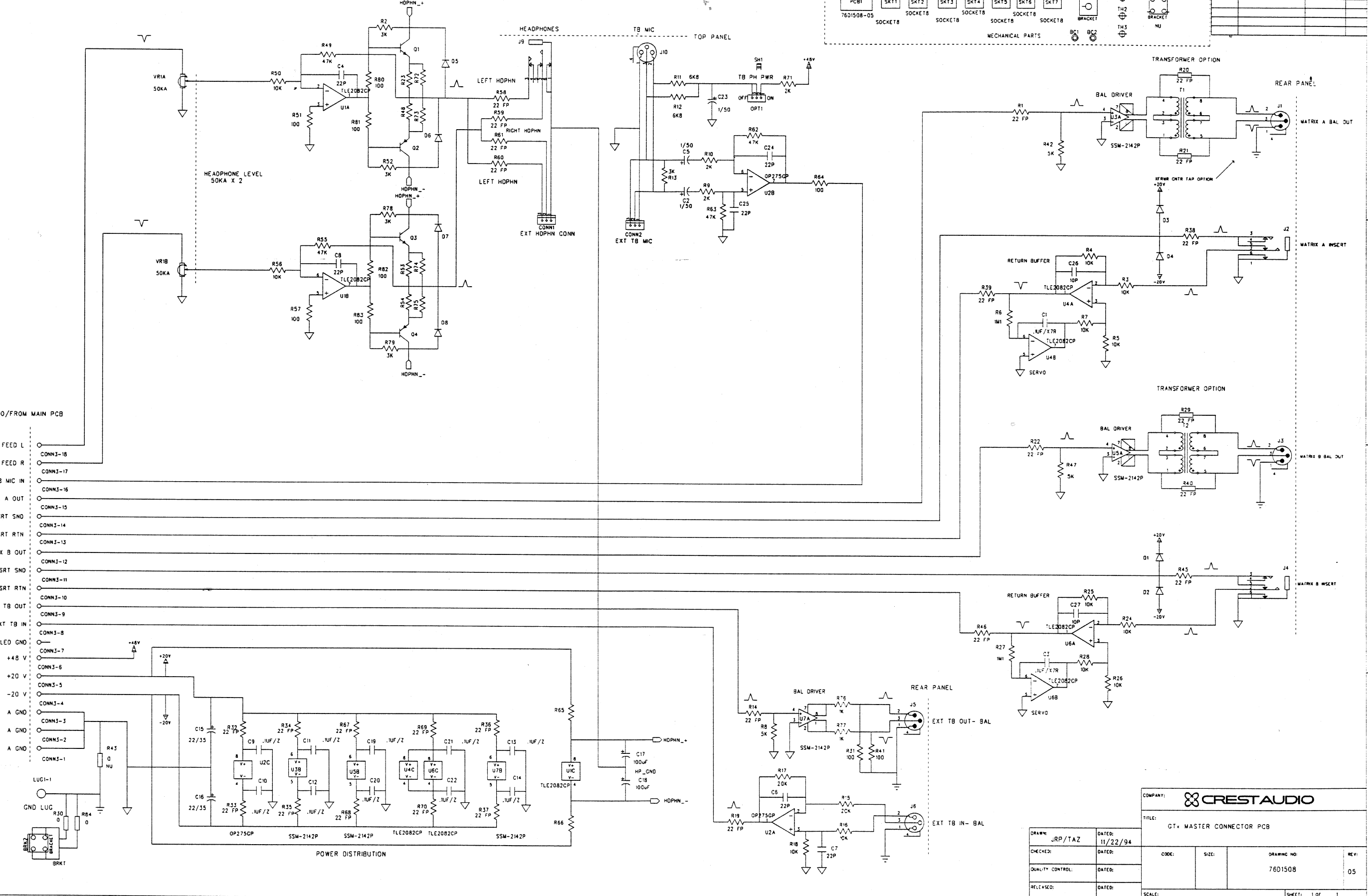
| REVISION RECORD | | | |
|-----------------|---------|-----------|-------|
| LTR | ECO NO. | APPROVED: | DATE: |
| | | | |
| | | | |
| | | | |

D

C

B

A



- TO/FROM MAIN PCB
- HOPHN FEED L ○ CONN3-18
 - HOPHN FEED R ○ CONN3-17
 - TB MIC IN ○ CONN3-16
 - MATRIX A OUT ○ CONN3-15
 - MATRIX A INSRT SND ○ CONN3-14
 - MATRIX A INSRT RTN ○ CONN3-13
 - MATRIX B OUT ○ CONN3-12
 - MATRIX B INSRT SND ○ CONN3-11
 - MATRIX B INSRT RTN ○ CONN3-10
 - EXT TB OUT ○ CONN3-9
 - EXT TB IN ○ CONN3-8
 - LED GND ○ CONN3-7
 - +48 V ○ CONN3-6
 - +20 V ○ CONN3-5
 - 20 V ○ CONN3-4
 - A GND ○ CONN3-3
 - A GND ○ CONN3-2
 - A GND ○ CONN3-1

COMPANY: **CRESTAUDIO**

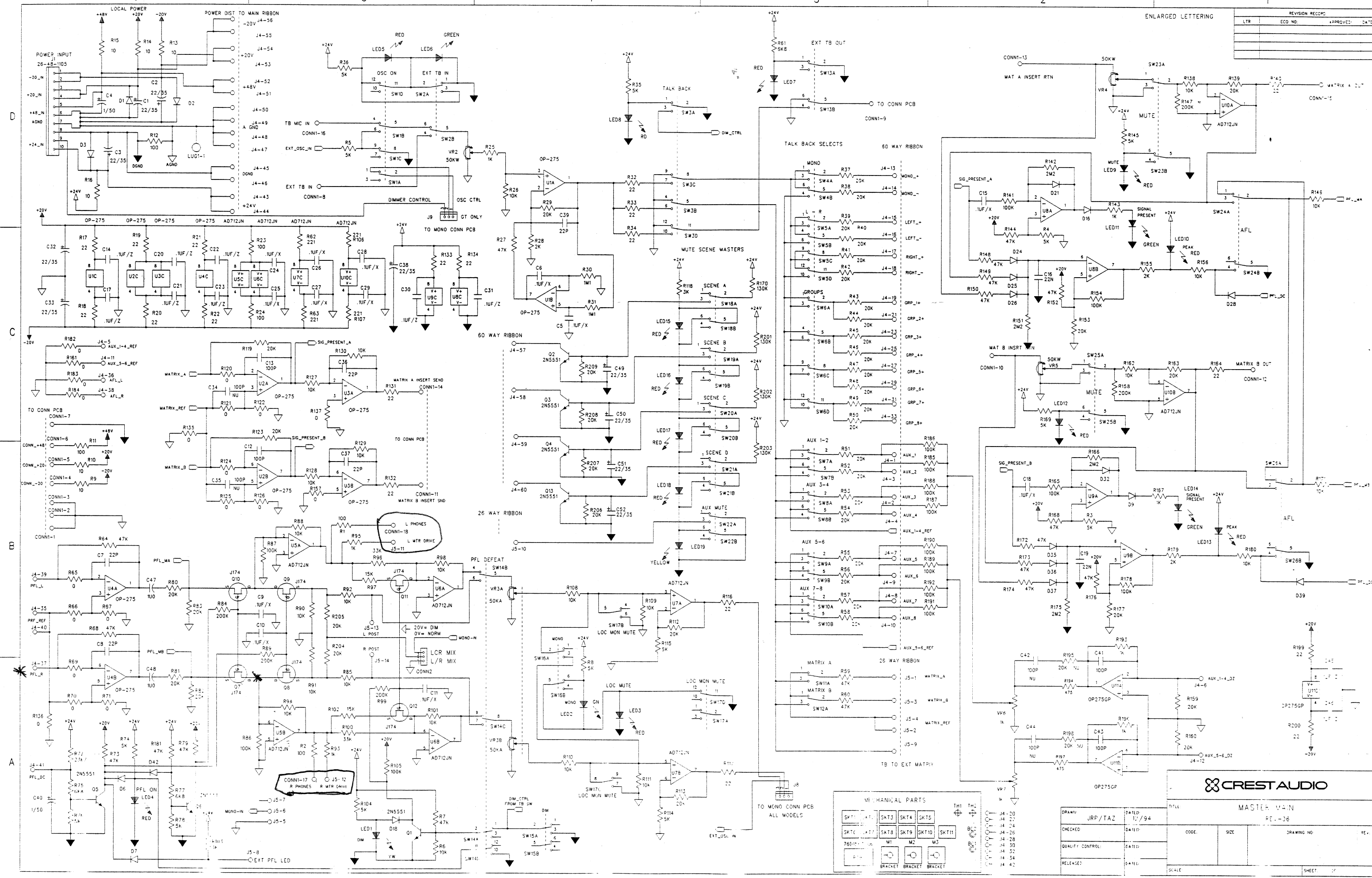
TITLE: GTx MASTER CONNECTOR PCB

| | | | | | |
|------------------|----------------|--------|---------------|---------------------|---------|
| DRAWN: JRP/TAZ | DATE: 11/22/94 | CODE: | SIZE: | DRAWING NO: 76D1508 | REV: 05 |
| CHECKED: | DATE: | SCALE: | SHEET: 1 OF 1 | | |
| QUALITY CONTROL: | DATE: | | | | |
| RELEASED: | DATE: | | | | |

Schematic #14

ENLARGED LETTERING

| REVISION RECORD | | | |
|-----------------|---------|----------|------|
| LT# | ECO NO. | APPROVED | DATE |
| | | | |
| | | | |
| | | | |



MECHANICAL PARTS

| | | | | |
|-------|-------|-------|-------|-------|
| SKT1 | SKT2 | SKT3 | SKT4 | SKT5 |
| SKT6 | SKT7 | SKT8 | SKT9 | SKT10 |
| SKT11 | SKT12 | SKT13 | SKT14 | SKT15 |

7601-1000 M1 M2 M3

BRACKET BRACKET BRACKET

| | | | |
|------------------|------------|--------------------|-------------|
| DRAWN: JRP/TAZ | DATE: 1/94 | TITLE: MASTER MAIN | REV: 06 |
| CHECKED: | DATE: | CODE: | SIZE: |
| QUALITY CONTROL: | DATE: | SCALE: | DRAWING NO: |
| RELEASED: | DATE: | SHEET: | OF: |

6

5

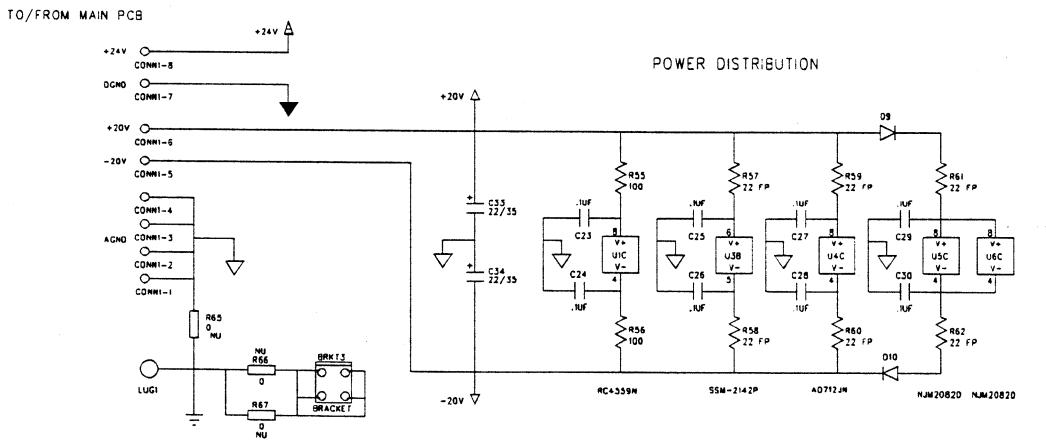
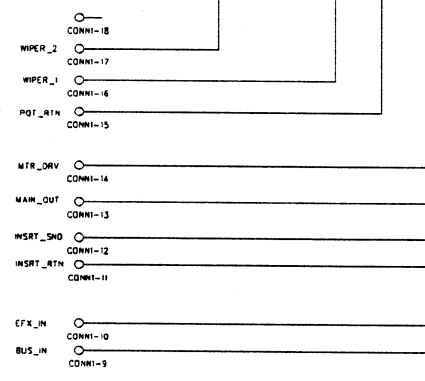
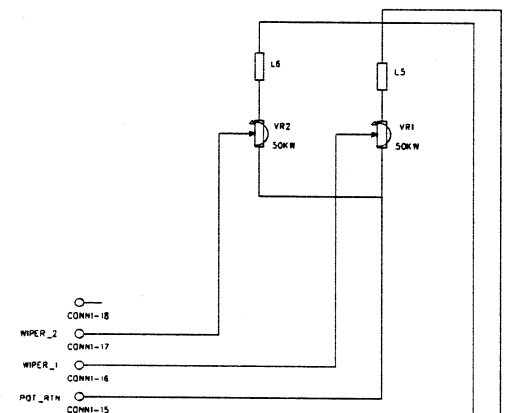
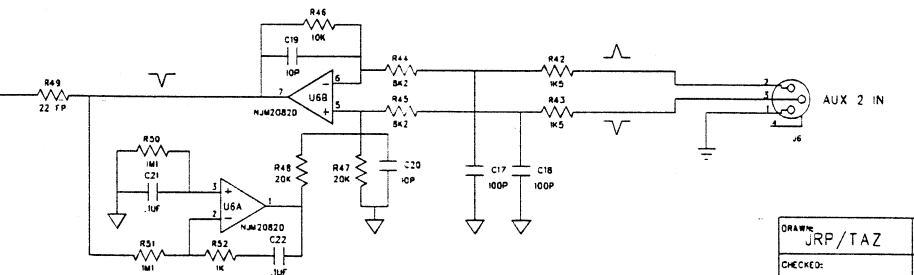
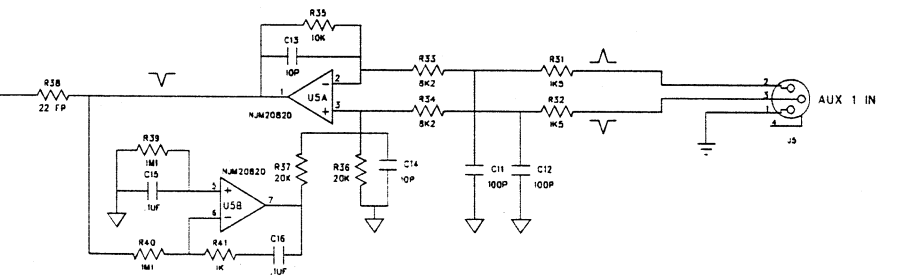
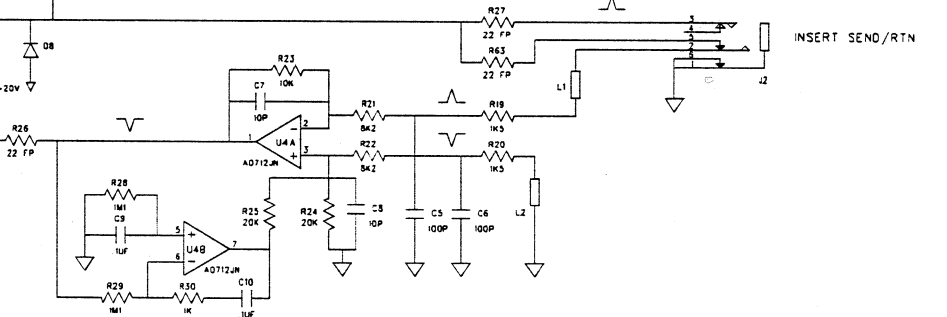
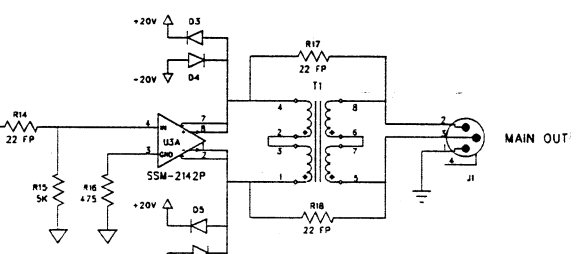
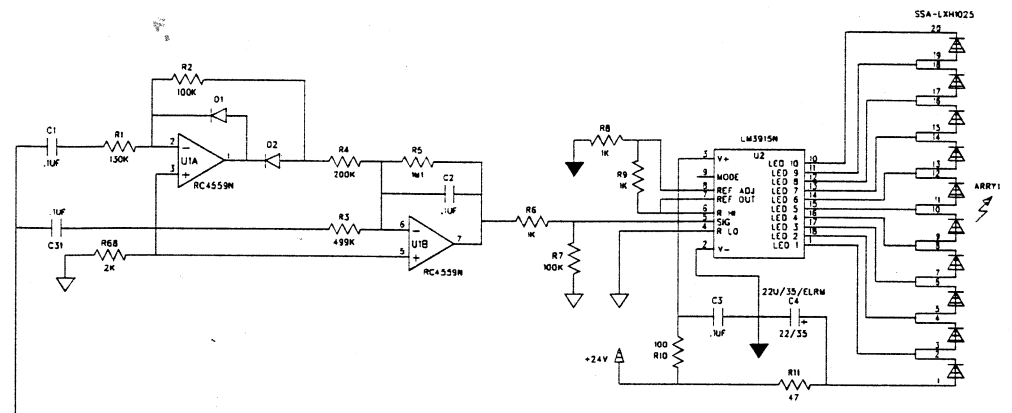
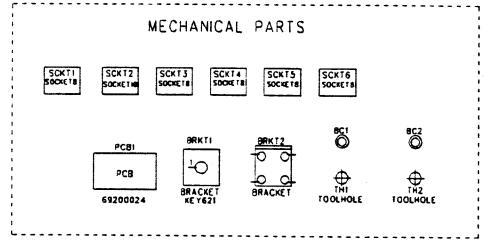
4

3

2

1

| REVISION RECORD | | | |
|-----------------|---------|-----------|-------|
| LTN | ECO NO: | APPROVED: | DATE: |
| | | | |
| | | | |
| | | | |



| | |
|------------------|-------------|
| DRAWN: JRP/TAZ | DATED: 6/95 |
| CHECKED: | DATED: |
| QUALITY CONTROL: | DATED: |
| RELEASED: | DATED: |

| | | | |
|---------------------------------|-------|-------------|---------------|
| COMPANY: CRESTAUDIO | | | |
| TITLE: GTx MATRIX CONNECTOR PCB | | | |
| CODE: | SIZE: | DRAWING NO: | REV: |
| | | 7601922-02 | |
| SCALE: | | | SHEET: 1 OF 1 |

Schematic #16

6

5

4

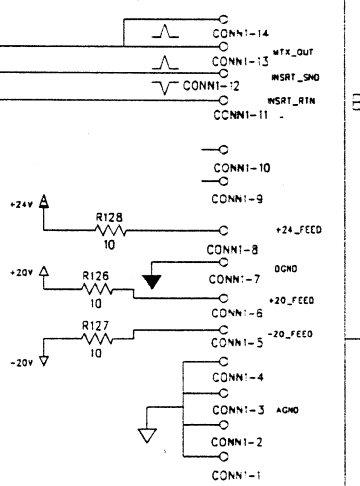
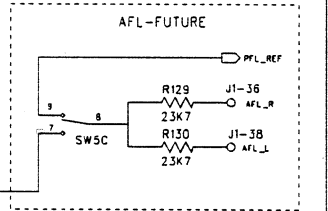
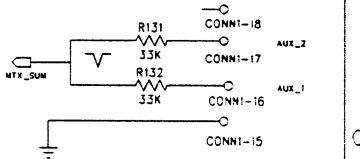
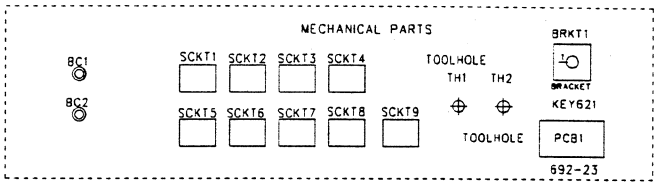
3

2

1

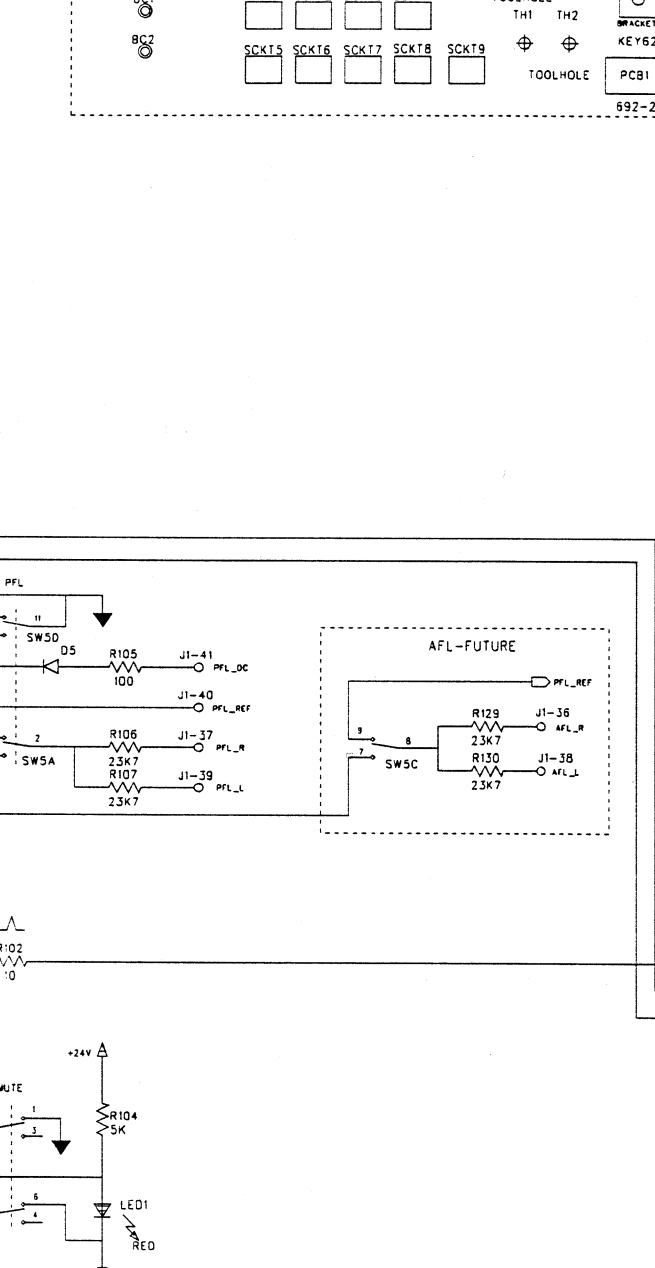
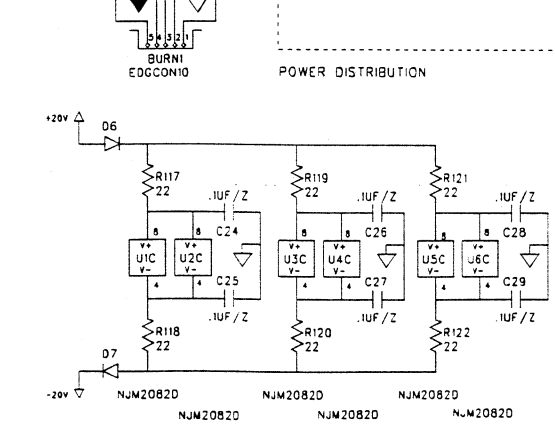
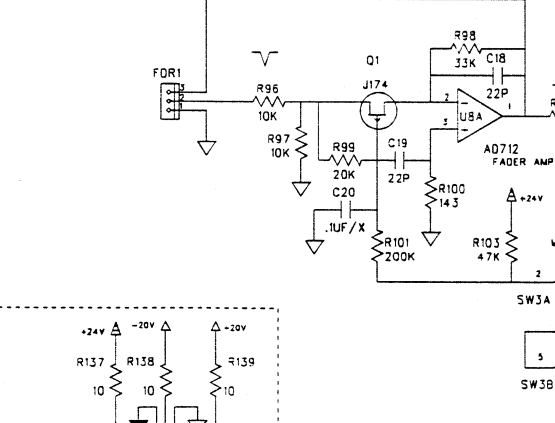
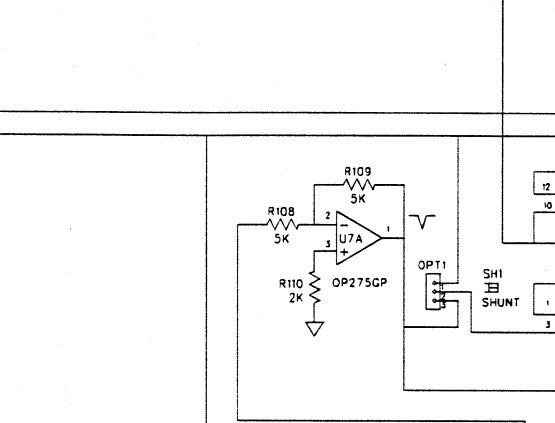
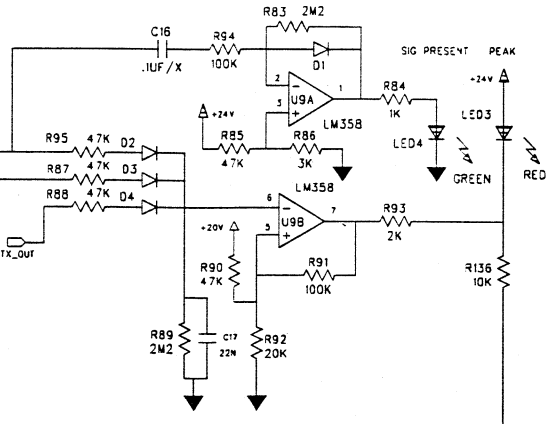
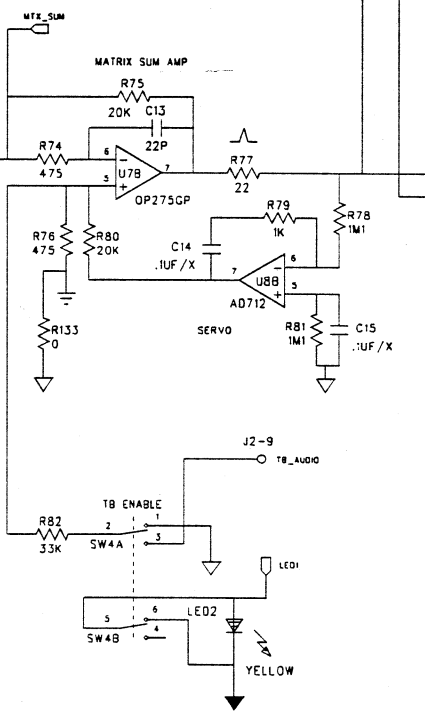
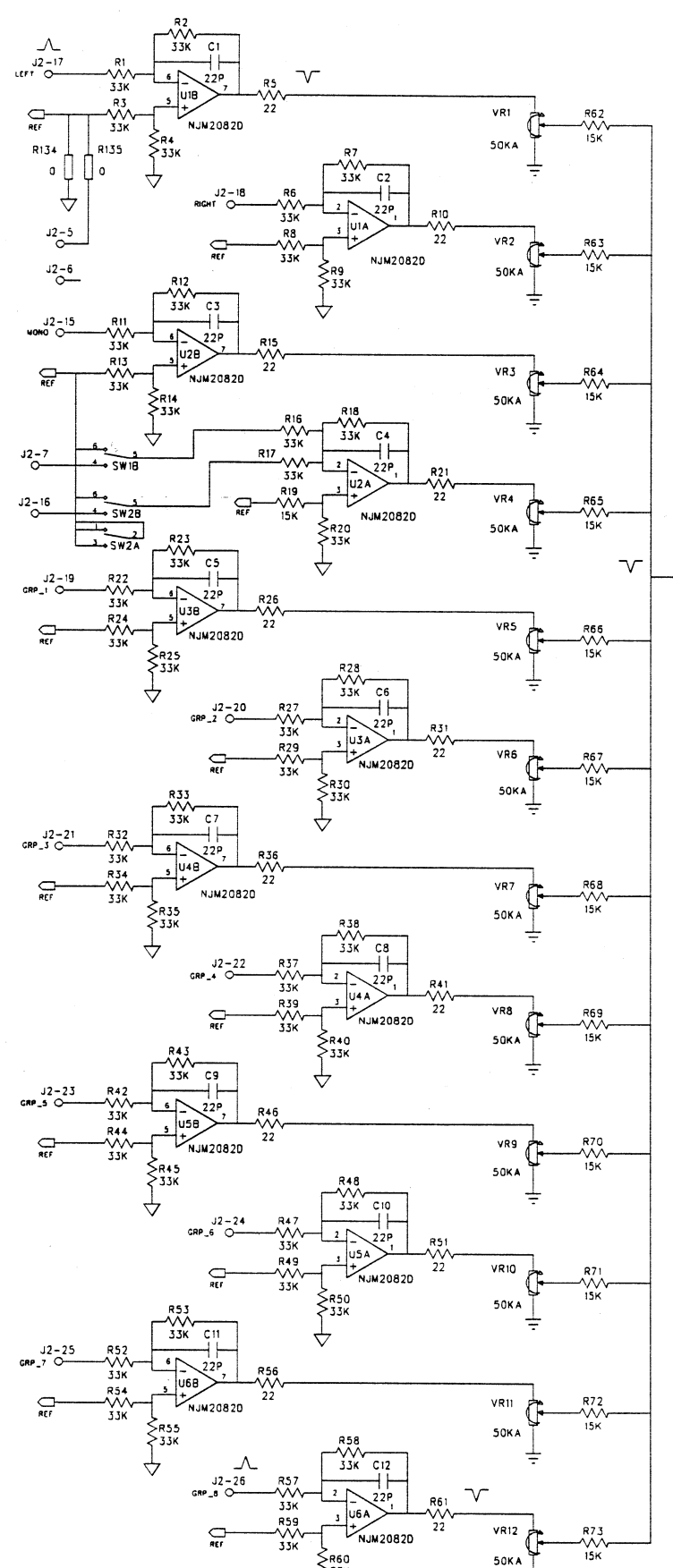
| REVISION RECORD | | | |
|-----------------|------------|-----------|--------|
| LT# | ECD NO. | APPROVED: | DATE: |
| 01 | R82 REWIRE | JRP | 6/8/94 |

ENLARGED LETTERING



TO/FROM MATRIX CONN PCB 76D1922

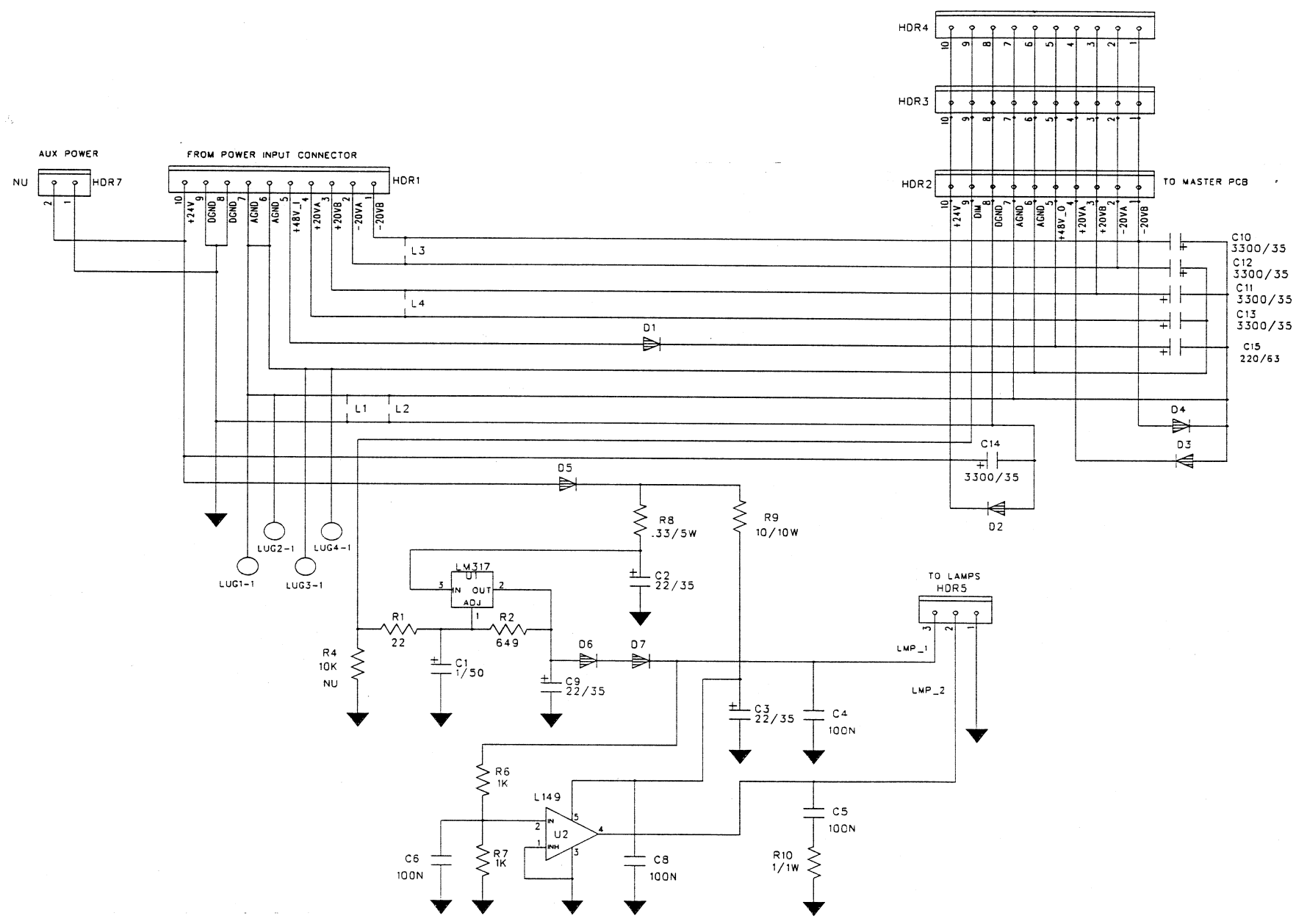
| | |
|---|---------------|
| COMPANY: CRESTAUDIO | |
| TITLE: GTx MATRIX OUTPUT- MAIN PCB | |
| DRAWN: JRP | DATED: 6/7/94 |
| CHECKED: J LOY | DATED: 4/94 |
| QUALITY CONTROL: | DATED: |
| RELEASED: | DATED: |
| CODE: | SIZE: |
| DRAWING NO: 76D1921-01 | |
| REVISION: | |
| SCALE: | |
| SHEET: 1 of 2 | |



MATRIX FEEDS (-20BU) FROM 26 WAY RIBBON (J2)

6 5 4 3 2 1

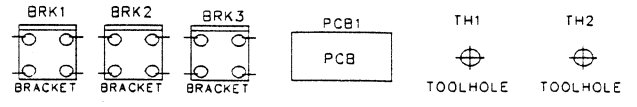
| REVISION RECORD | | | |
|-----------------|---------|-----------|-------|
| LTR | ECO NO. | APPROVED: | DATE: |
| | | | |
| | | | |
| | | | |



- C10 3300/35
- C12 3300/35
- C11 3300/35
- C13 3300/35
- C15 220/63

| | | | |
|---|-------|-------------|-----------|
| COMPANY: CRESTAUDIO | | | |
| TITLE: POWER/DIMMER PCB - CENTURY CONSOLE | | | |
| CODE: | SIZE: | DRAWING NO: | REV: |
| | | | |
| SCALE: | | | SHEET: OF |

| | |
|------------------|--------|
| DRAWN: | DATED: |
| CHECKED: | DATED: |
| QUALITY CONTROL: | DATED: |
| RELEASED: | DATED: |



6

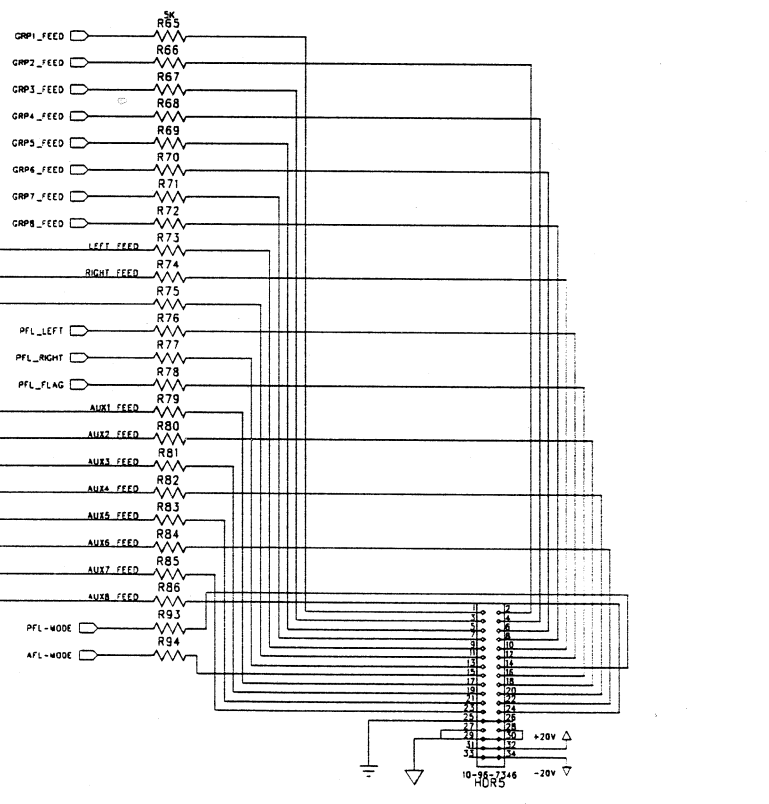
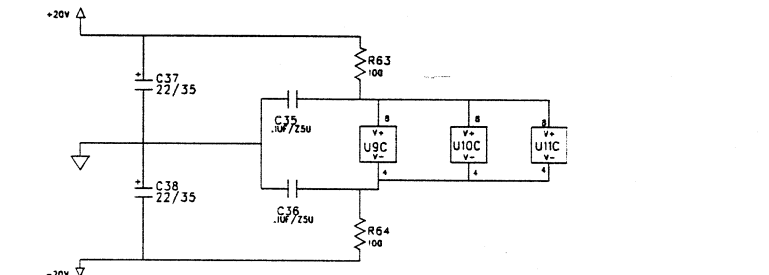
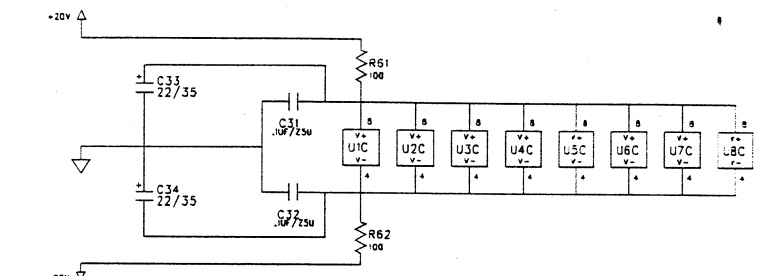
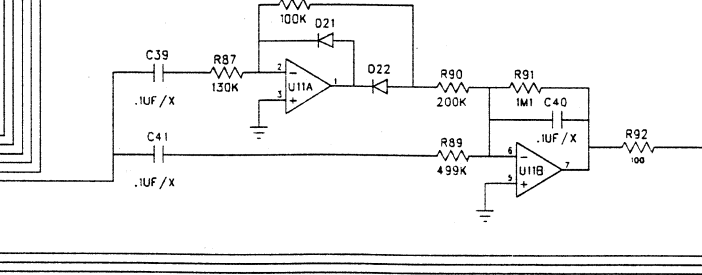
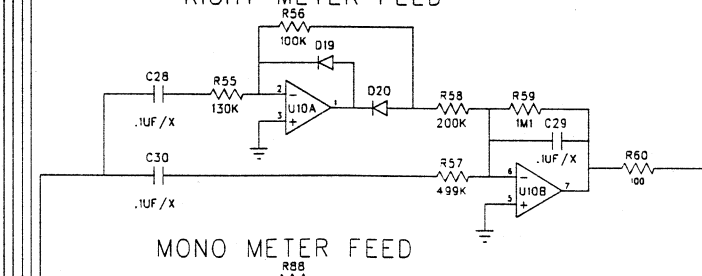
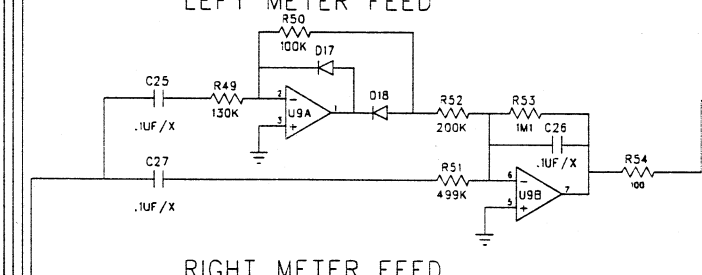
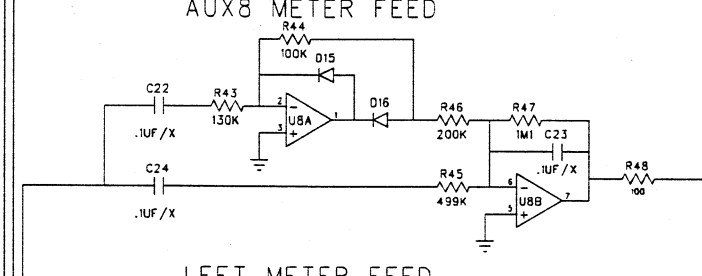
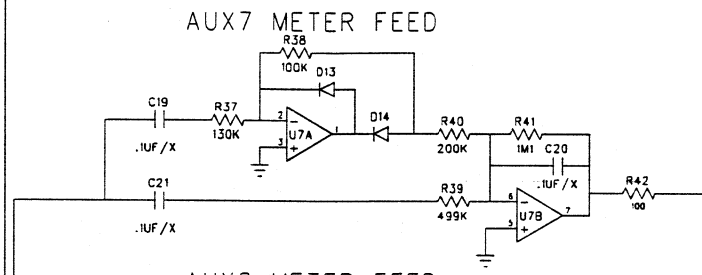
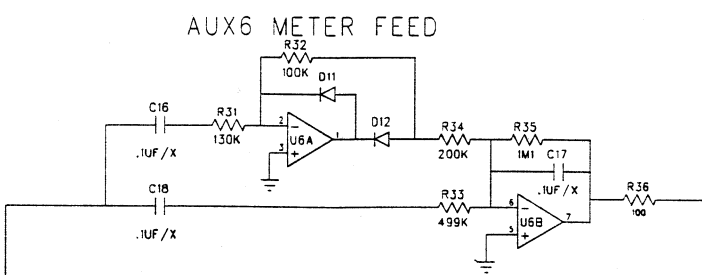
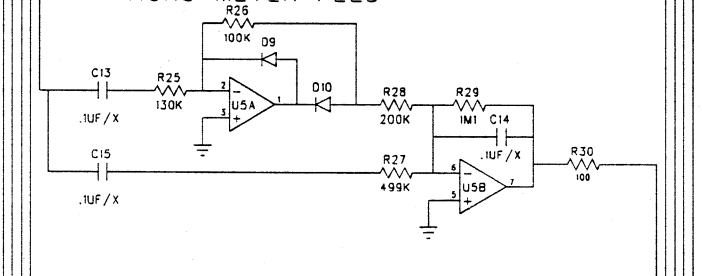
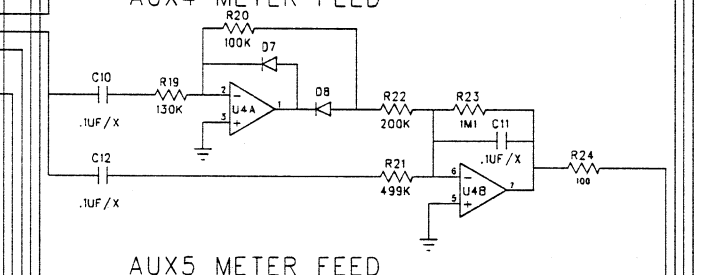
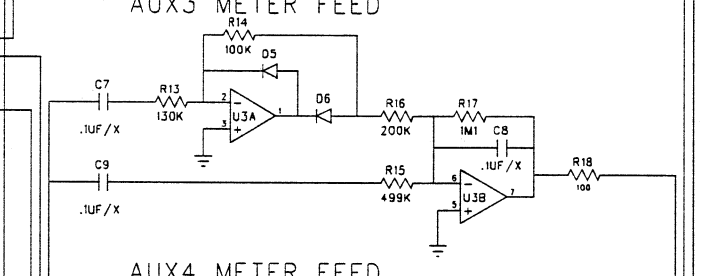
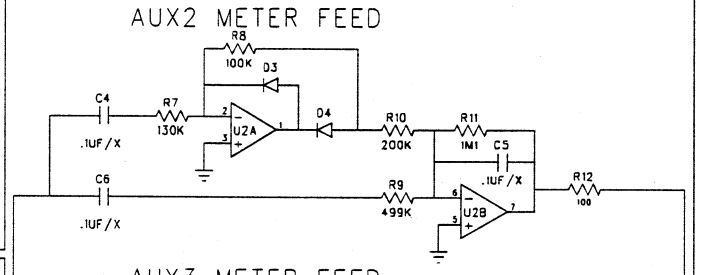
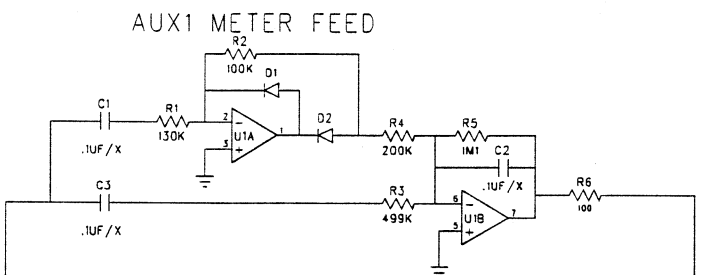
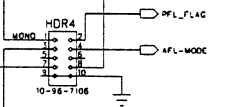
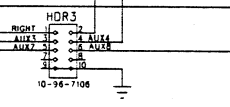
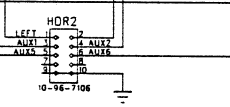
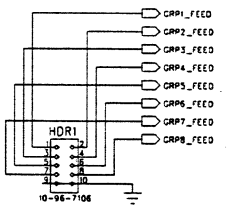
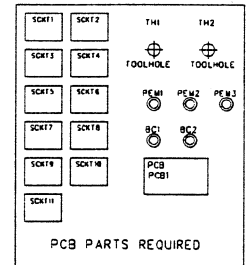
5

4

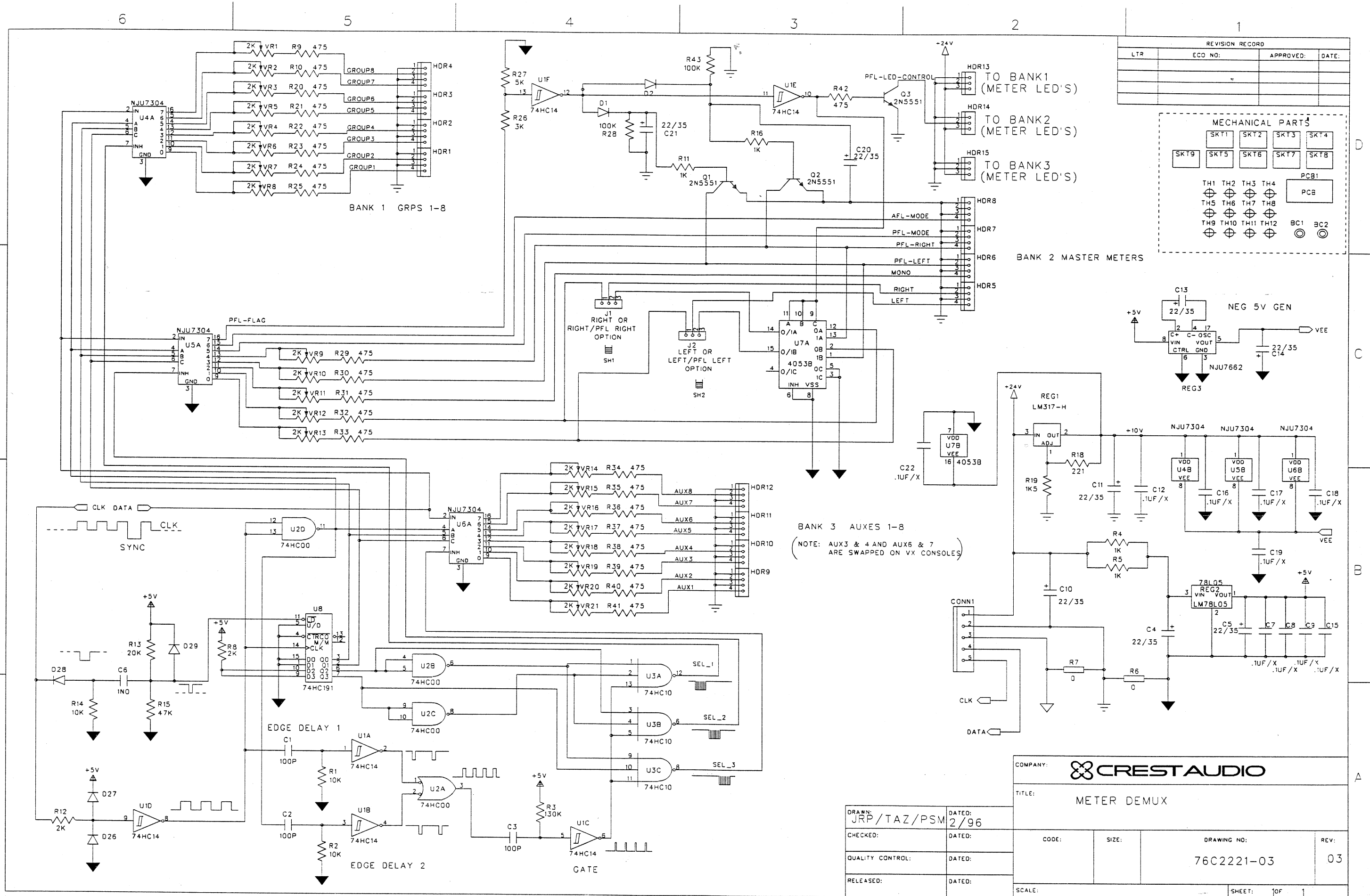
3

2

| REVISION RECORD | | | |
|-----------------|---------|-----------|-------|
| LT# | ECO NO. | APPROVED: | DATE: |
| | | | |
| | | | |
| | | | |



| | | | | | |
|------------------|--|--------|--|---------------------------|-------|
| DRAWN: TAZ | | DATED: | | COMPANY: CRESTAUDIO | |
| CHECKED: | | DATED: | | TITLE: Meter Driver Board | |
| QUALITY CONTROL: | | DATED: | | CODE: | SIZE: |
| RELEASED: | | DATED: | | DRAWING NO: | REV: |
| SCALE: | | | | SHEET: 2 | |



| REVISION RECORD | | | |
|-----------------|---------|-----------|-------|
| LTR | ECO NO: | APPROVED: | DATE: |
| | | | |
| | | | |

| MECHANICAL PARTS | | | | | | | | | | | | | |
|------------------|------|------|------|------|------|------|------|------|------|-----|-----|-----|-----|
| SKT1 | SKT2 | SKT3 | SKT4 | PCB1 | SKT5 | SKT6 | SKT7 | SKT8 | PCB | TH1 | TH2 | TH3 | TH4 |
| TH5 | TH6 | TH7 | TH8 | BC1 | BC2 | TH9 | TH10 | TH11 | TH12 | | | | |

BANK 3 AUXES 1-8
 (NOTE: AUX3 & 4 AND AUX6 & 7 ARE SWAPPED ON VX CONSOLES)

| | | | |
|----------------------------|-------------|------------------------|---------------|
| COMPANY: CRESTAUDIO | | | |
| TITLE: METER DEMUX | | | |
| DRAWN: JRP/TAZ/PSM | DATED: 2/96 | CODE: | SIZE: |
| CHECKED: | DATED: | DRAWING NO: 76C2221-03 | REV: 03 |
| QUALITY CONTROL: | DATED: | SCALE: | SHEET: 1 OF 1 |
| RELEASED: | DATED: | | |

6

5

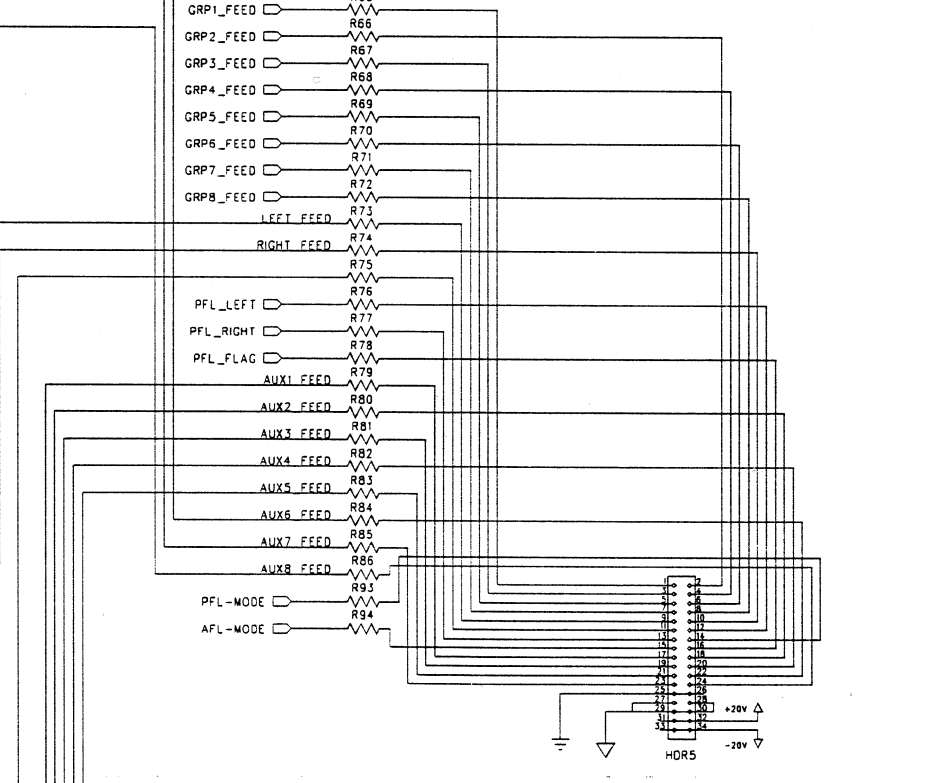
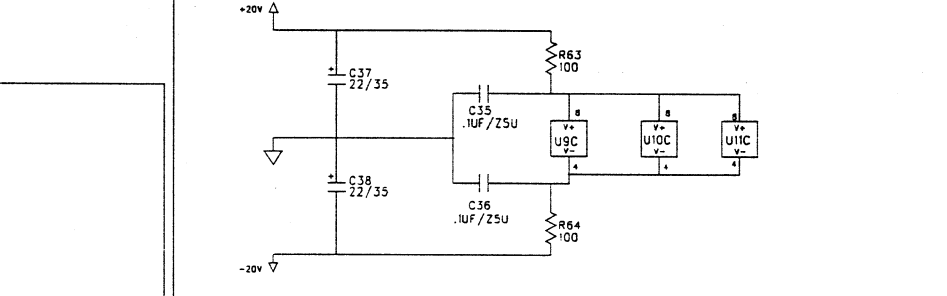
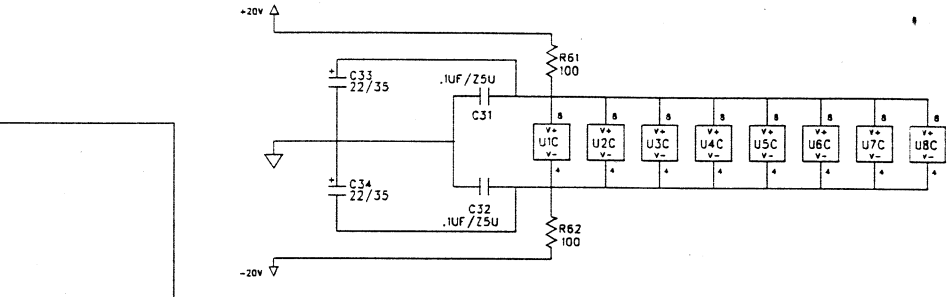
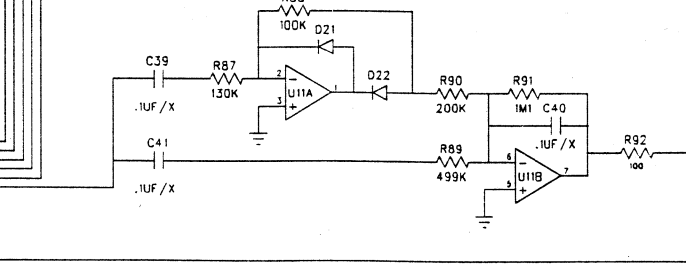
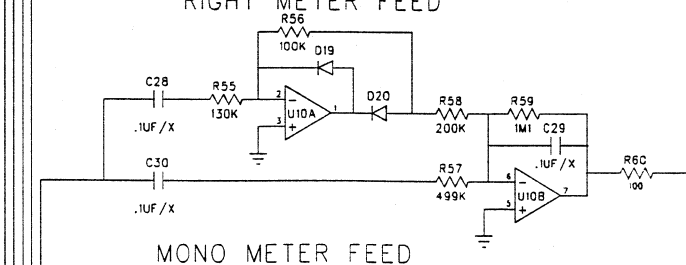
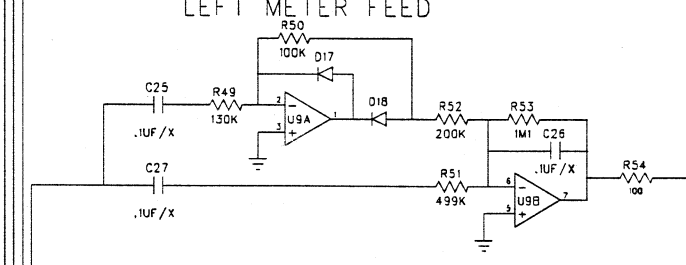
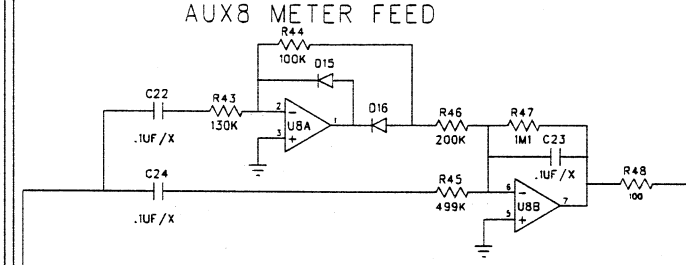
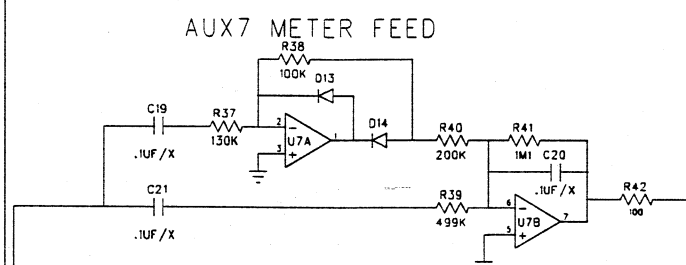
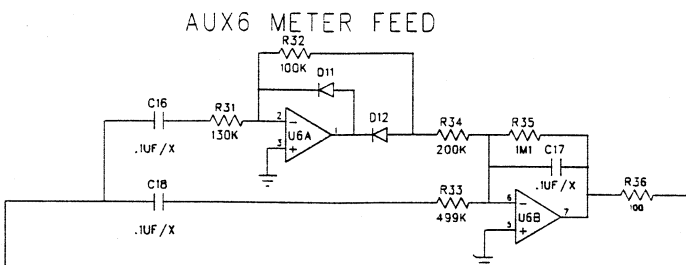
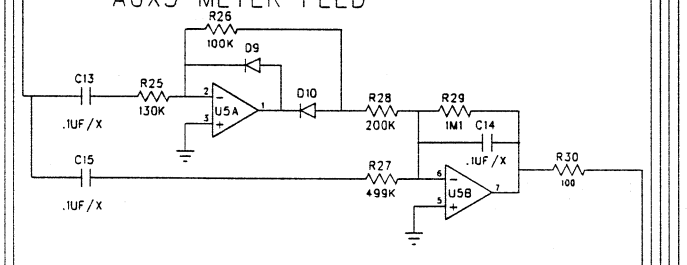
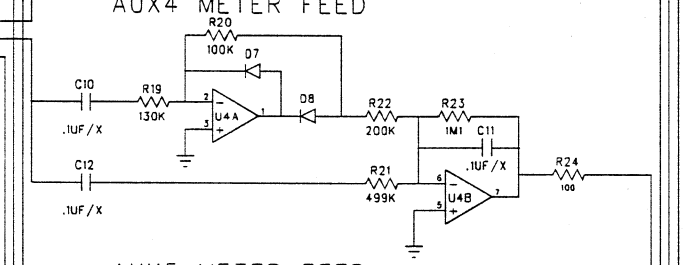
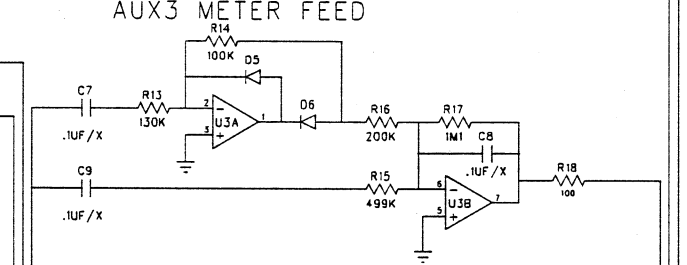
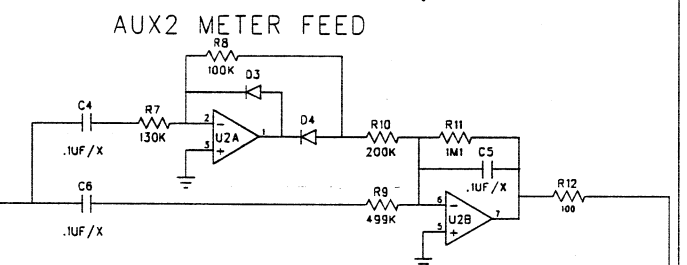
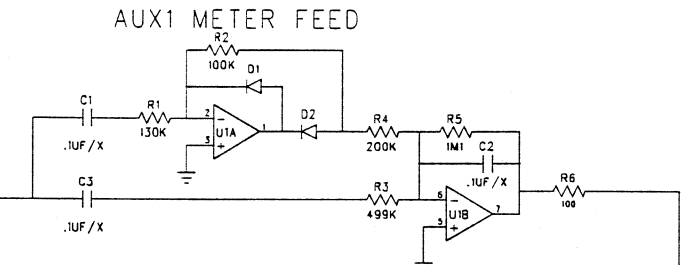
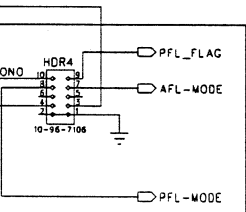
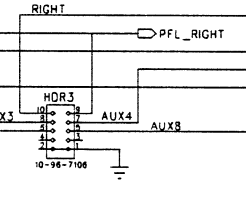
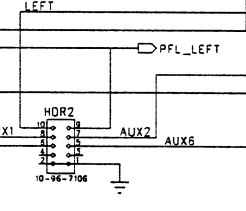
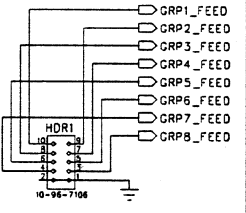
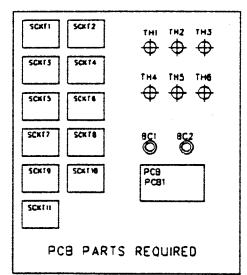
4

3

2

1

| REVISION RECORD | | | |
|-----------------|---------|-----------|-------|
| LT# | ECO NO. | APPROVED: | DATE: |
| | | | |
| | | | |



COMPANY: **CRESTAUDIO**

| | | | | | |
|---------------------------|--------------|----------|-----------|------------------------|--------|
| TITLE: Meter Driver Board | | CODE: | SIZE: | DRAWING NO: 7602135-01 | REV: |
| DRAWN: TAZ | DATED: 11/94 | CHECKED: | DATED: | QUALITY CONTROL: | DATED: |
| RELEASED: | DATED: | SCALE: | SHEET: OF | | |

Schematic #21

6

5

4

3

2

1

OPTION FOR CHAINING UP POWER SUPPLY TO OTHER METER PCB'S

| REVISION RECORD | | | |
|-----------------|---------|-----------|-------|
| LTR | ECO NO: | APPROVED: | DATE: |
| | | | |
| | | | |
| | | | |

D

D

C

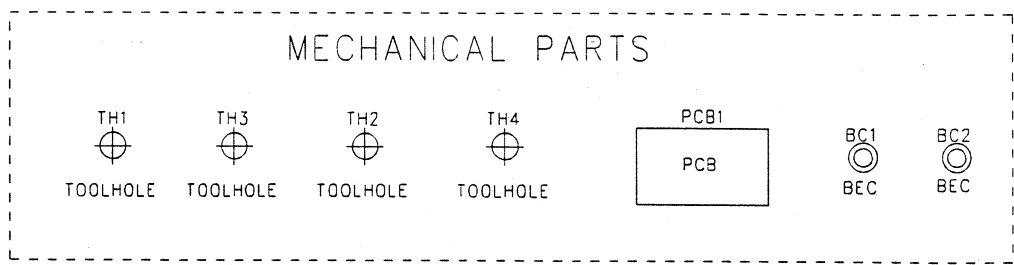
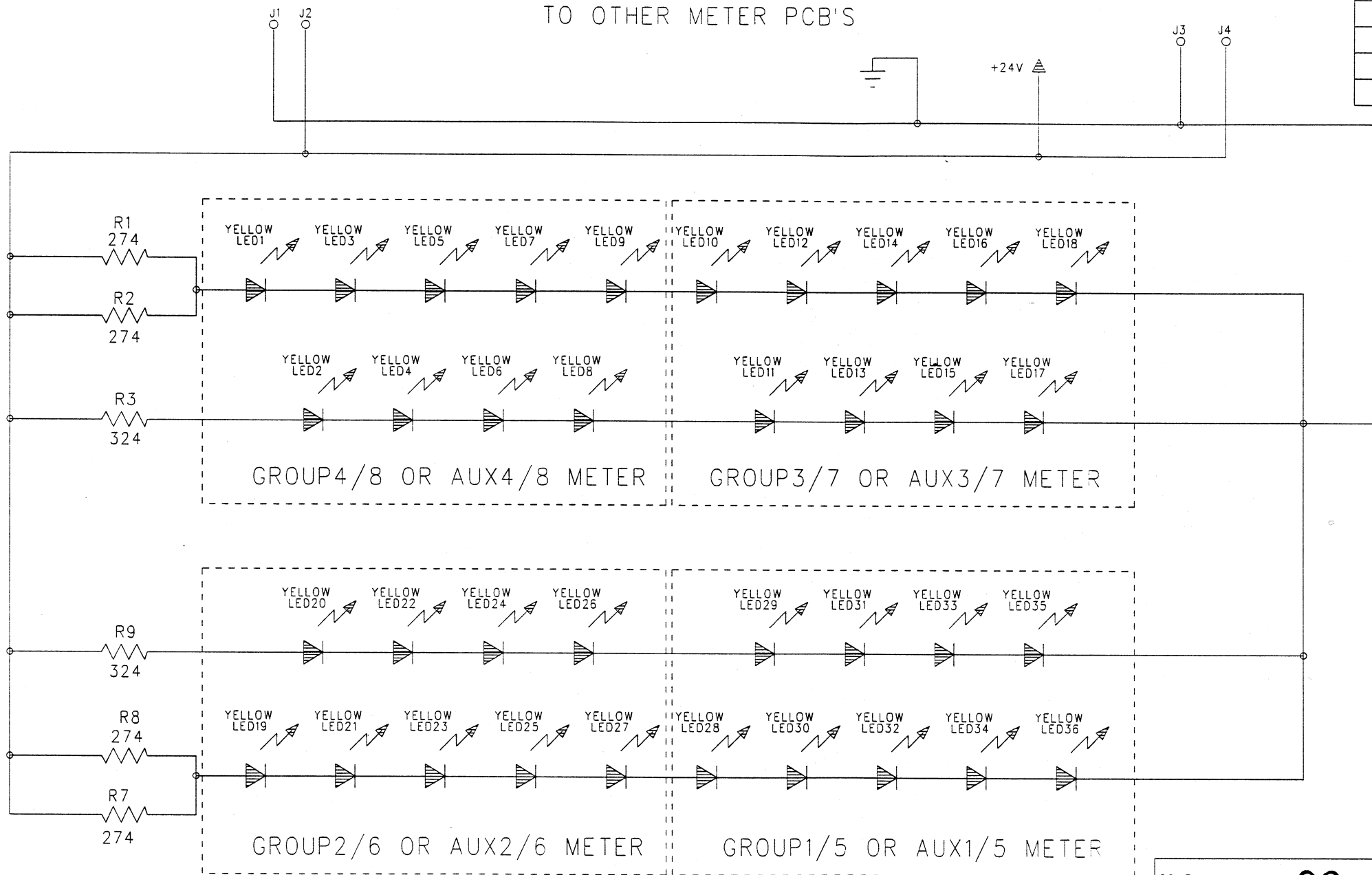
C

B

B

A

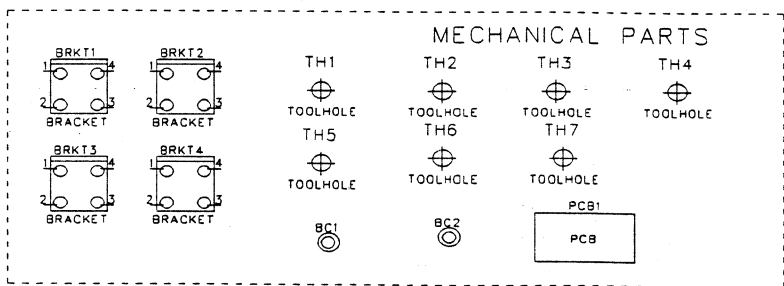
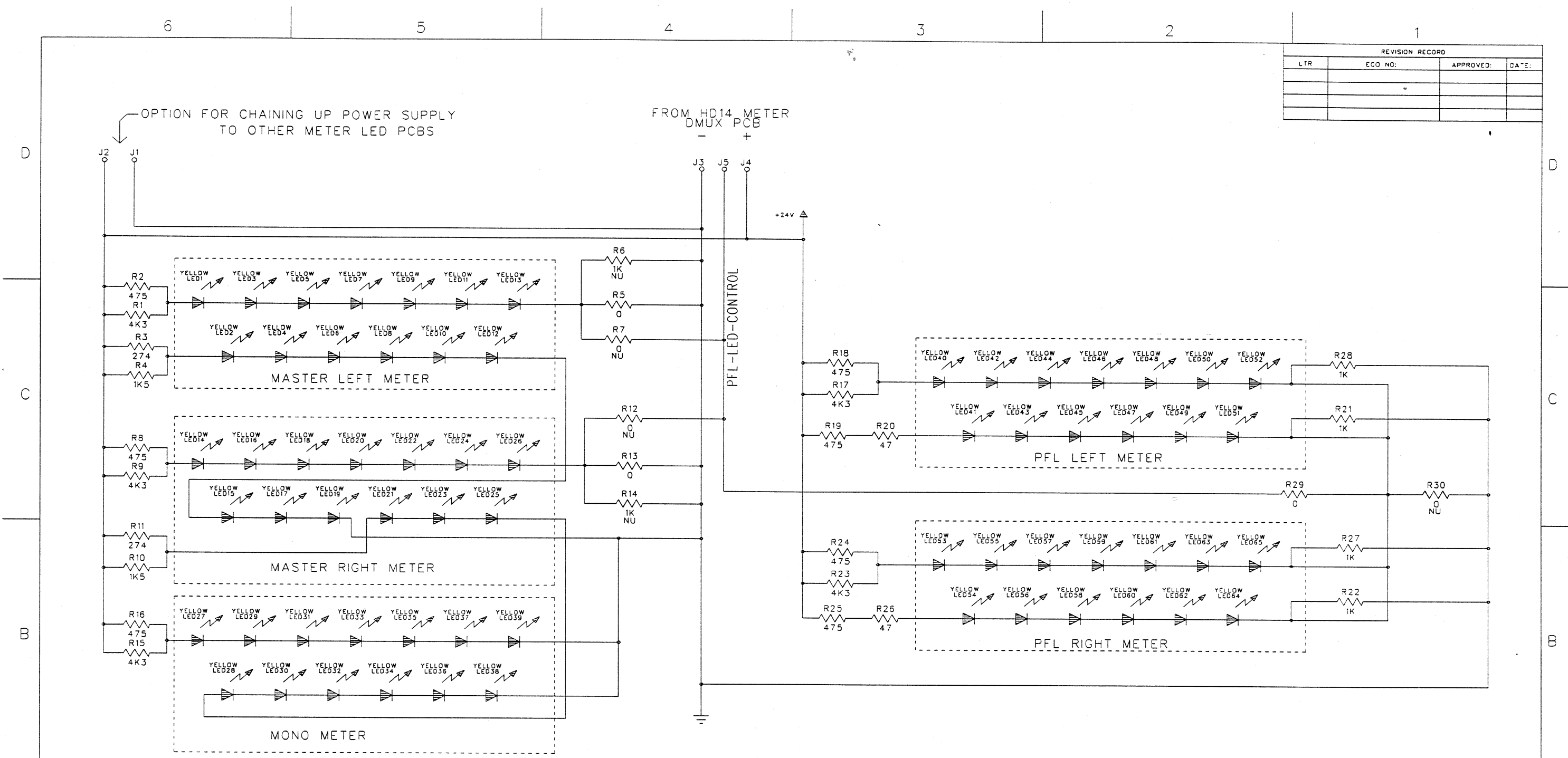
A



| | |
|------------------|--------------|
| DRAWN: TAZ | DATED: 12/94 |
| CHECKED: | DATED: |
| QUALITY CONTROL: | DATED: |
| RELEASED: | DATED: |

| | | | |
|---------------------------------------|-------|------------------------|---------------|
| COMPANY: CREST AUDIO | | | |
| TITLE: GTX/VX GROUP/AUX METER LED PCB | | | |
| CODE: | SIZE: | DRAWING NO: 76B2244-01 | REV: 0 |
| SCALE: | | | SHEET: 1 OF 1 |

| REVISION RECORD | | | |
|-----------------|---------|-----------|-------|
| LTR | ECO NO: | APPROVED: | DATE: |
| | | | |
| | | | |
| | | | |



| | | | |
|-------------------------------------|--------------|------------------------|---------------|
| CREST AUDIO | | | |
| TITLE: GTX/VX MASTER METERS LED PCB | | | |
| DRAWN: TAZ | DATED: 12/94 | CODE: | SIZE: C |
| CHECKED: | DATED: | DRAWING NO: 76C2245-01 | REV: 1 |
| QUALITY CONTROL: | DATED: | SCALE: | SHEET: 1 OF 1 |
| RELEASED: | DATED: | | |

6

5

4

3

2

1

OPTION FOR CHAINING UP POWER SUPPLY TO OTHER METER LED PCBs

| REVISION RECORD | | | |
|-----------------|---------|-----------|-------|
| LTR | ECO NO: | APPROVED: | DATE: |
| | | | |
| | | | |
| | | | |

D

D

C

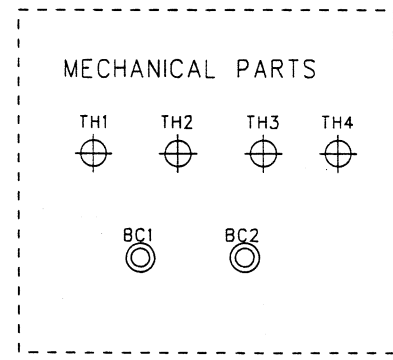
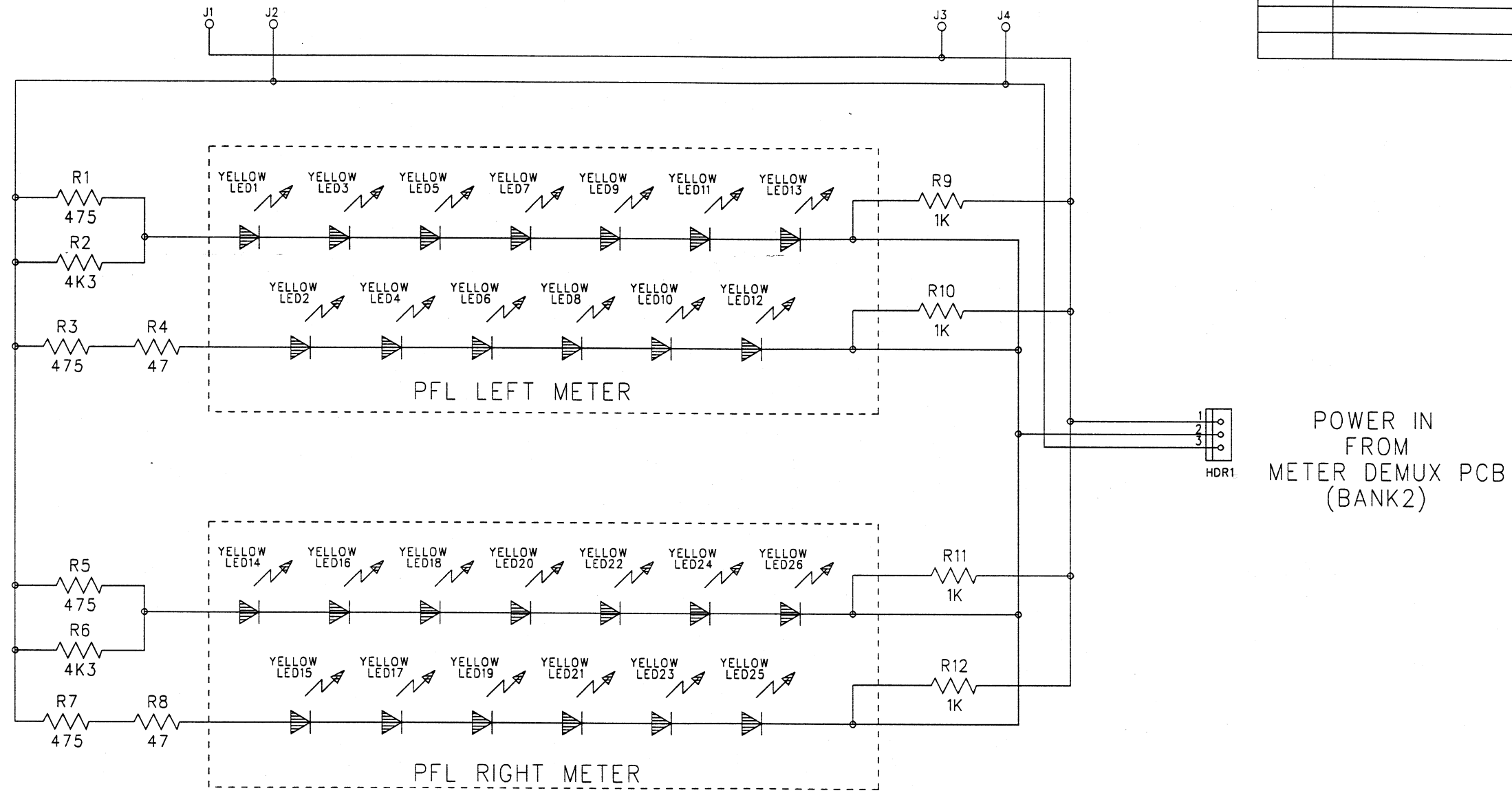
C

B

B

A

A



| | | | |
|----------------------------------|-------|----------------------------------|------------------|
| COMPANY: CREST AUDIO | | | |
| TITLE: PFL METERS LED PCB | | | |
| CODE: | SIZE: | DRAWING NO: 76B2246-00 | REV: 0 |
| SCALE: | | SHEET: 1 OF 1 | |

| | |
|----------------------|------------------------|
| DRAWN: TAZ | DATED: 10/94 |
| CHECKED: | DATED: |
| QUALITY CONTROL: | DATED: |
| RELEASED: | DATED: |